



PARTS CATALOG

**SRM-2305
Brushcutter**

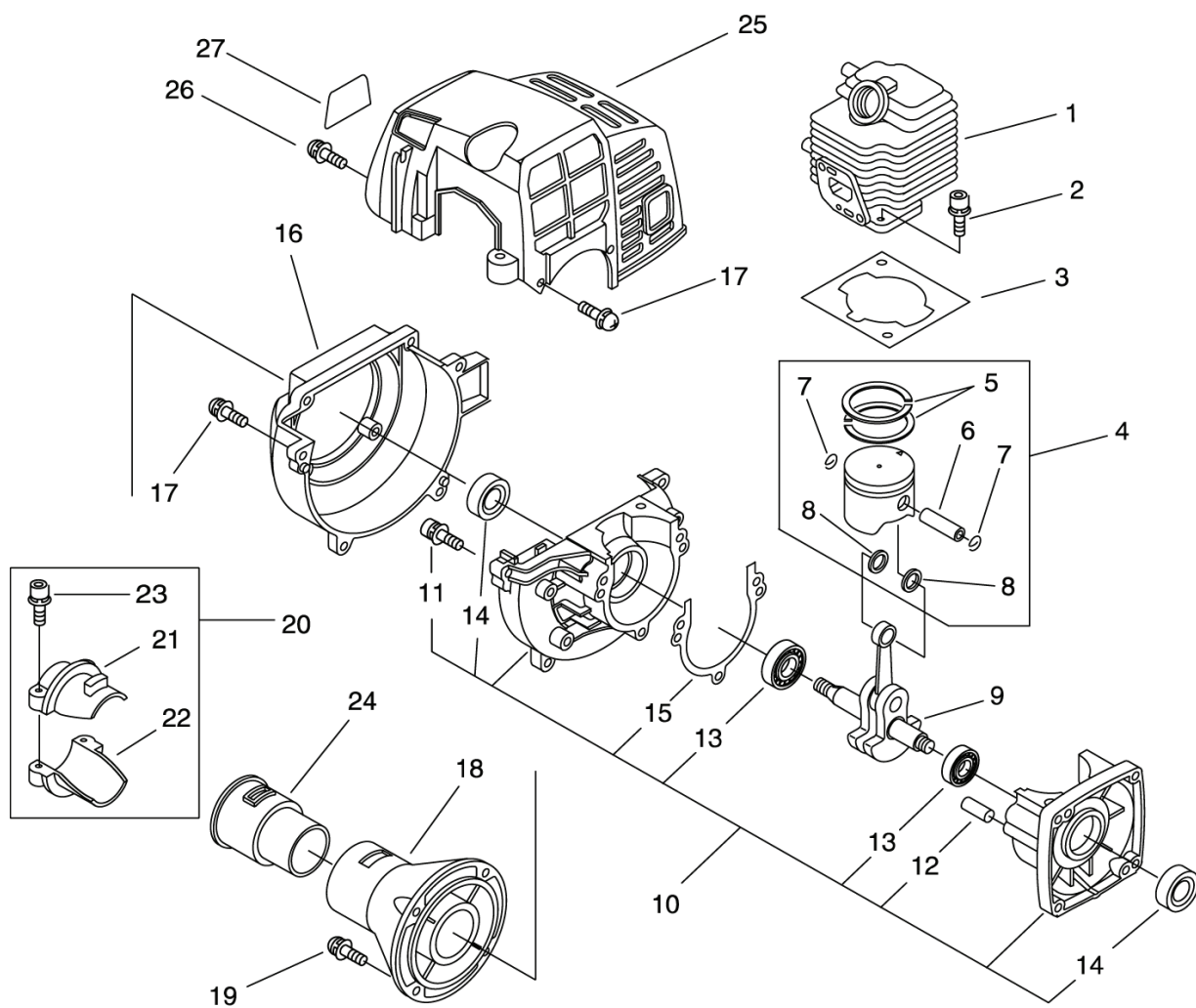
21.2 cc

SERIAL NUMBER

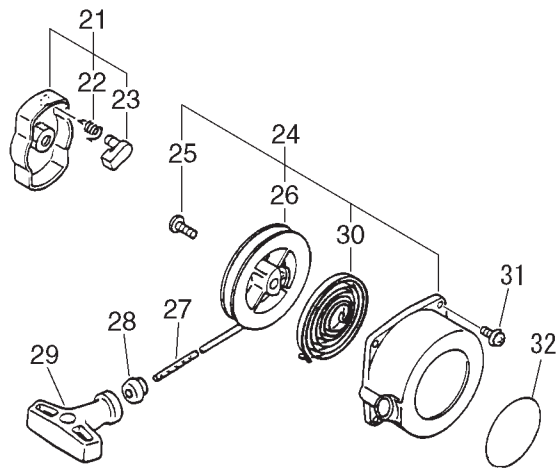
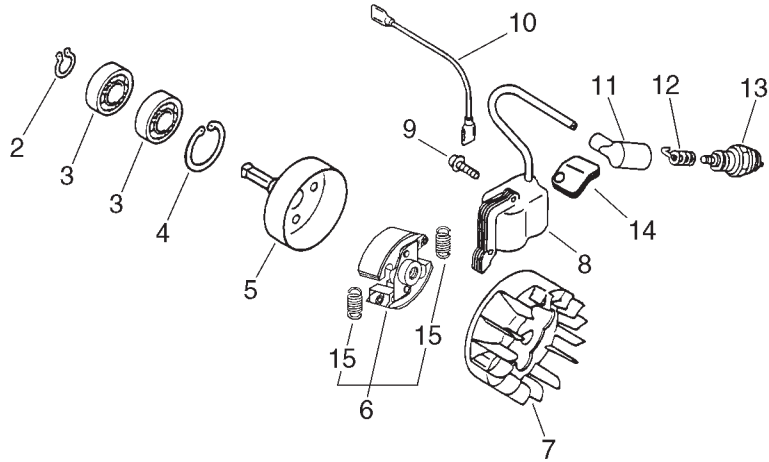
S/N: S25220001001-S25220999999

ECHO, INCORPORATED

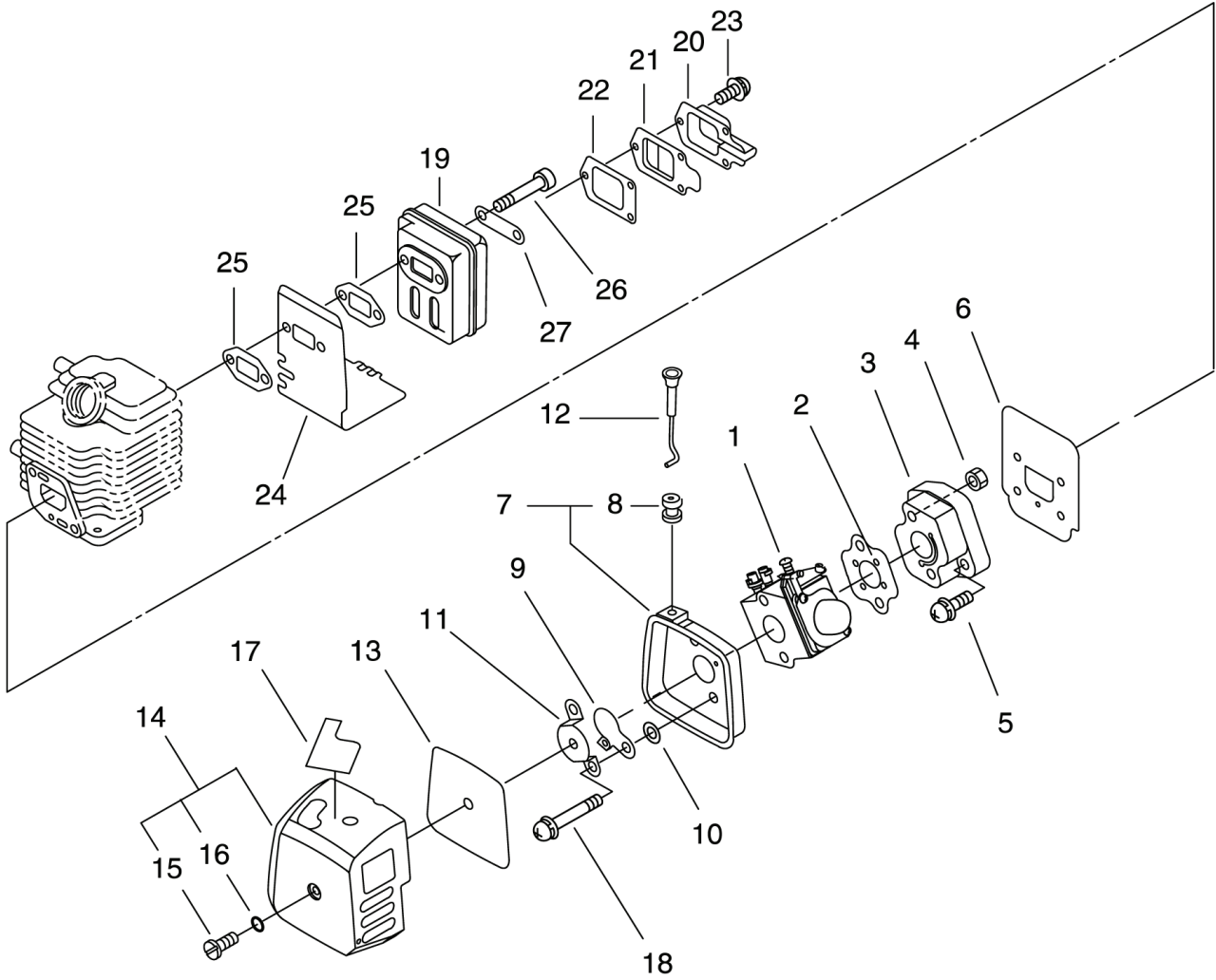
400 Oakwood Road Lake Zurich, Illinois 60047
WWW.ECHO-USA.COM



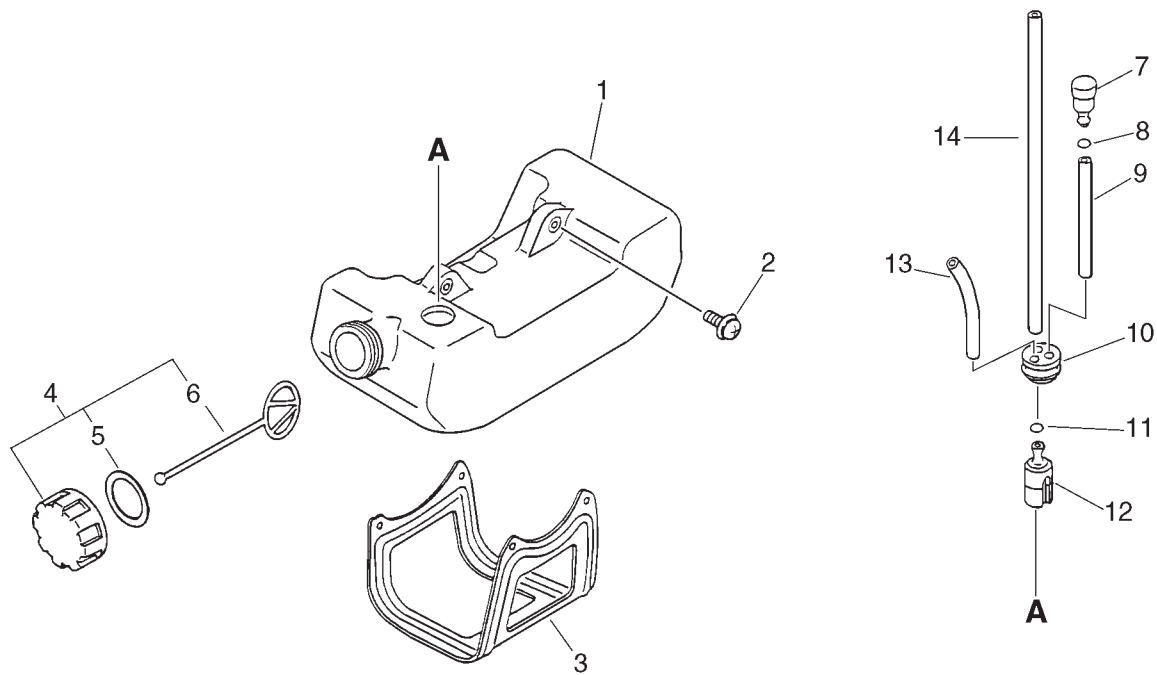
KEY	PART NUMBER	QTY	DESCRIPTION	REMARK
1	10101106562	1	CYLINDER	
2	90016205022	2	BOLT, H.S. 5*22	
3	10101044332	1	GASKET, CYL. BASE	
4	P021009950	1	PISTON KIT	Includes 5 - 8
5	+ A101000000	2	RING,PISTON	
6	+ 10001311520	1	PIN, PISTON	
7	+ 10001504630	2	CIRCLIP, PISTON PIN	
8	+ V306000150	2	WASHER,CIRCULAR 8	
9	A011000101	1	CRANKSHAFT,ASM	
10	10020452132	1	CRANKCASE KIT	Includes 11 -15
11	+ 90016205028	3	BOLT, H.S. 5*28	
12	+ 10021503930	2	PIN, DOWEL	
13	+ 9403536201	2	BEARING BALL	
14	+ 10021242031	2	OILSEAL	
15	+ 10024242030	1	GASKET, CRANKCASE	
16	10151144730	1	COVER, FAN (BS)	
17	90023804016	6	SCREW 4*16	
18	61022344730	1	CASE, CLUTCH (BS)	
19	90023805016	4	SCREW 5*16	
20	P021013520	1	HOLDER KIT	Includes 21 - 23
21	+ 61092227432	1	HOLDER	
22	+ 61092327432	1	HOLDER	
23	+ 9111805025	2	BOLT	
24	61091027832	1	CUSHION	
25	10151442031	1	COVER, CYLINDER	
26	90023804012	2	SCREW 4*12	
27	X547001160	1	LABEL,ECHO	



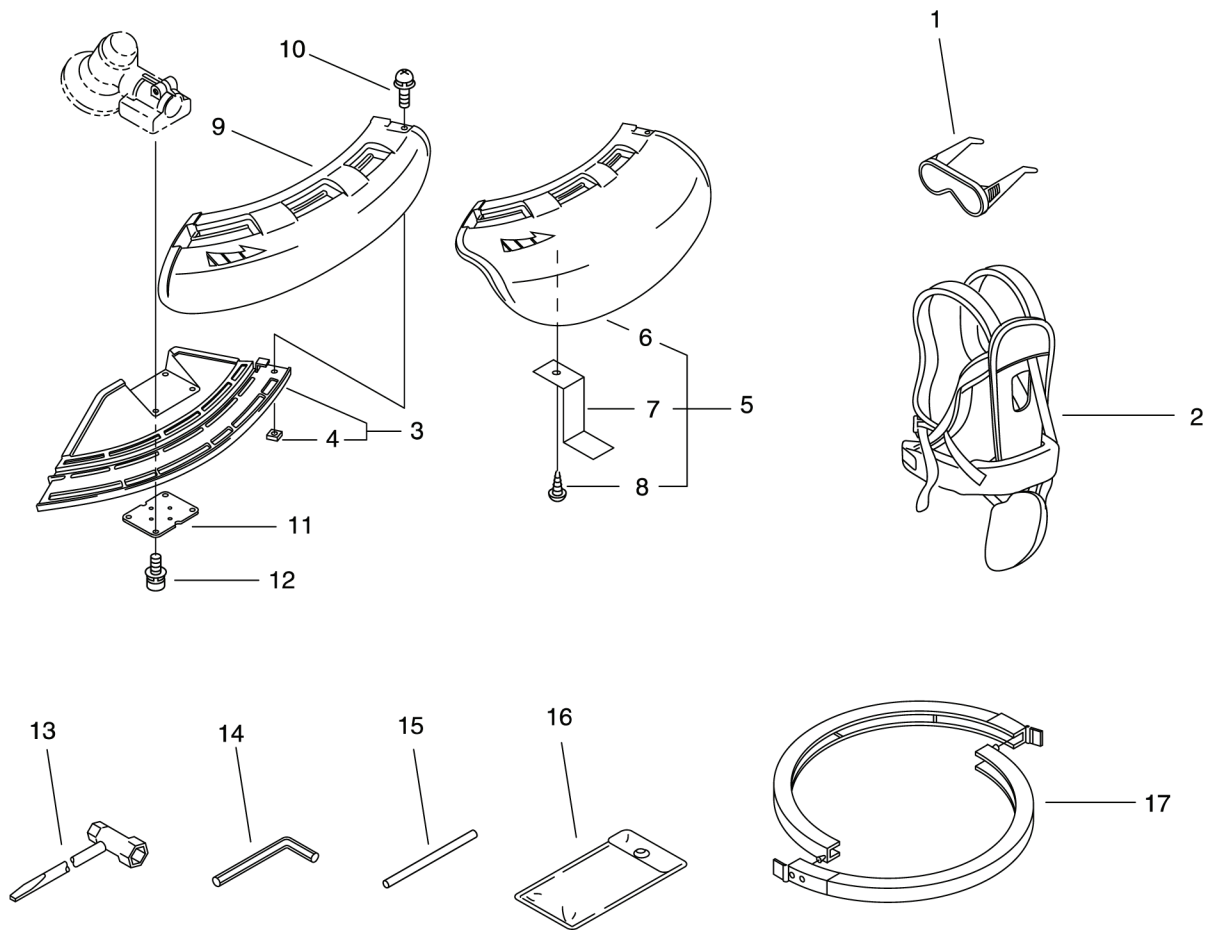
KEY	PART NUMBER	QTY	DESCRIPTION	REMARK
2	90070100012	1	CIRCLIP 12	
3	90080796001	2	BEARING, BALL 6001	
4	90070200028	1	CIRCLIP 28	
5	17500547630	1	DRUM, CLUTCH	
6	17500052734	1	CLUTCH ASY	Includes 15
15	+ 17501852131	2	SPRING, CLUTCH	
7	15680144731	1	FLYWHEEL	
8	15660152130	1	COIL, IGNITION	
9	90016204022	2	BOLT, H.S. 4*22	
10	16202152830	1	LEAD, GROUND	
11	15901203433	1	CAP, SPARK PLUG	
12	15901103432	1	COIL, SPARK PLUG	
13	15901010630	1	PLUG, SPARK (BPM-7A)	
14	15011242030	1	BUSHING	
21	17720244331	1	PAWL ASM., STARTER	Includes 22, 23
22	+ 17723412220	1	SPRING, PAWL	
23	+ 17721844330	1	PAWL, STARTER	
24	17720042033	1	STARTER ASSY	Includes 25 - 30
25	+ 17723644330	1	SCREW	
26	+ 17721544430	1	DRUM, STARTER	
27	+ 17722610120	1	ROPE, STARTER	
28	+ 17722742030	1	GUIDE, ROPE	
29	+ 17722806530	1	GRIP, STARTER	
30	+ 17722042030	1	SPRING, REWIND	
31	90023804016	2	SCREW 4*16	
32	X502000330	1	LABEL,ECHO	



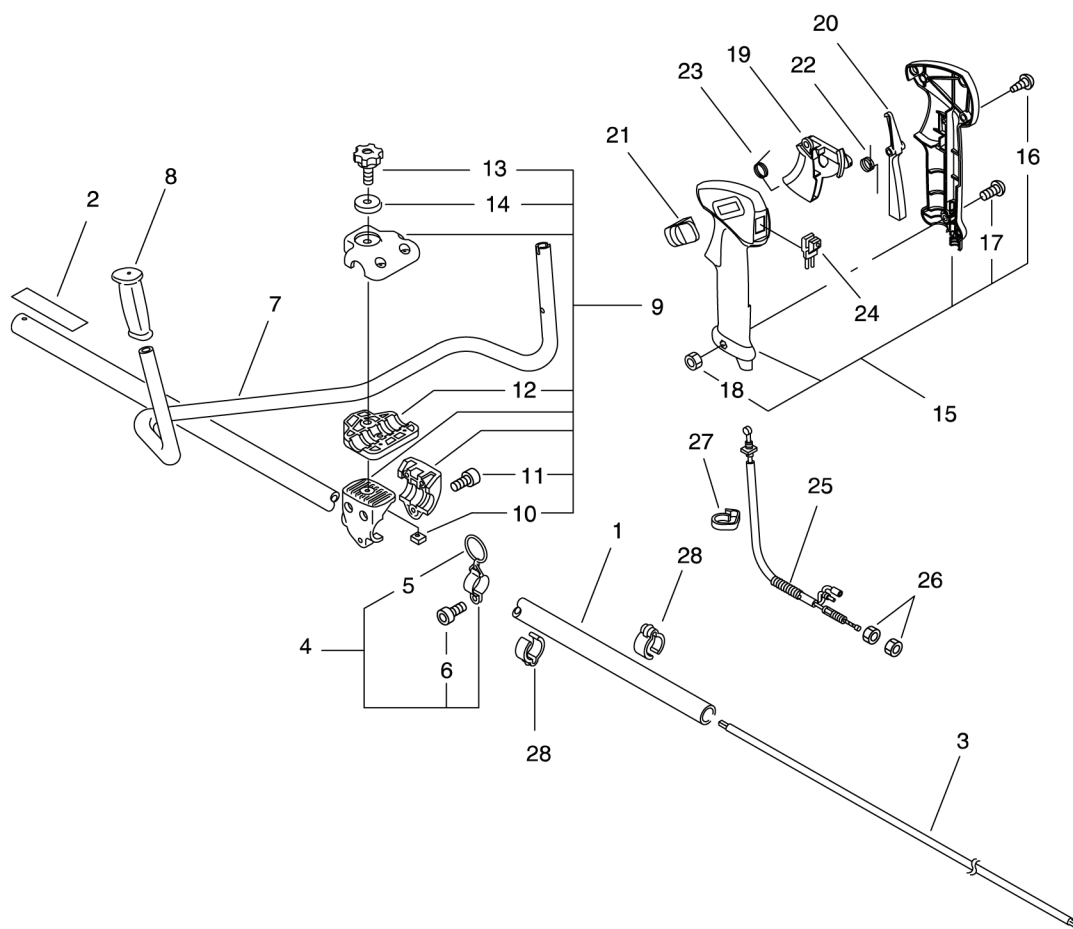
KEY	PART NUMBER	QTY	DESCRIPTION	REMARK
1	12520052433	1	CARBURETOR	
2	13001642031	1	GASKET, INTAKE	
3	13001742031	1	INSULATOR, INTAKE	
4	90050000005	2	NUT 5	
5	90023805020	2	SCREW 5*20	
6	13001042032	1	GASKET,INTAKE	
7	13030104560	1	CASE, AIR CLEANER	Includes 8
8	+ 17881005230	1	GROMMET	
9	17851504560	1	SHUTTER, CHOKE	
10	17851600830	1	SPACER	
11	13041044730	1	BRACKET, AIR CLEANER	
12	17851048830	1	ROD, CHOKE	
13	13031004560	1	FILTER, AIR	
14	13030250630	1	COVER ASSY, AIR CLN.	Includes 15, 16
15	+ 13041540630	1	SCREW	
16	+ 90072000004	1	O-RING (P-4)	
17	89012147530	1	LABEL, CHOKE	
18	90024205057	2	SCREW 5*57	
19	A300000000	1	MUFFLER, EXHAUST	
20	A313000041	1	HOLDER, SCREEN	
21	14587642030	1	LID, MUFFLER (B)	
22	14586642031	1	GASKET, MUFFLER LID	
23	90024204010	3	SCREW 4*10	
24	A320000251	1	COVER,MUFFLER	
25	V104000160	2	GASKET,EXHAUST	
26	90010505055	2	BOLT, H.S. 5*55	
27	14564204930	1	WASHER	



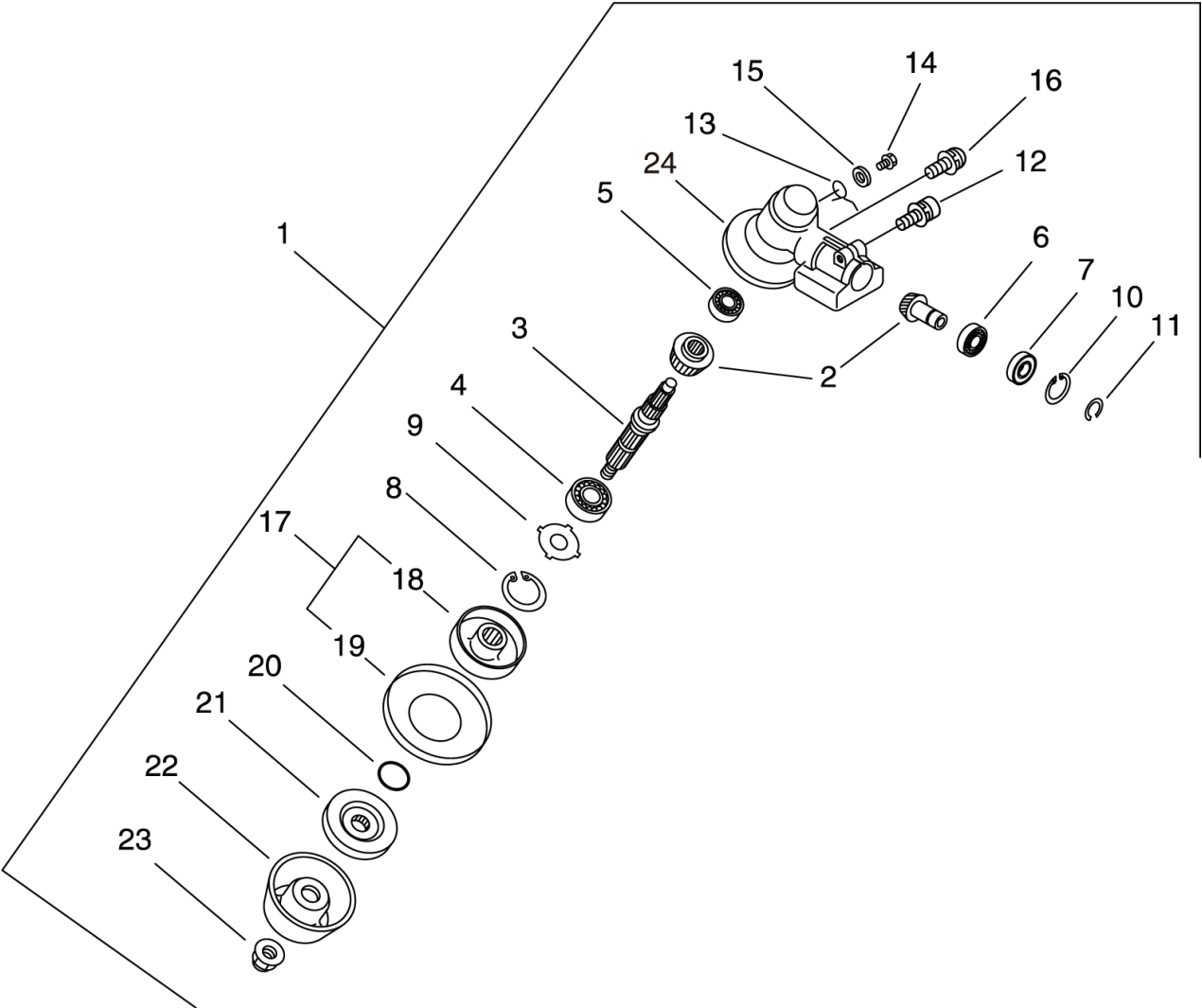
KEY	PART NUMBER	QTY	DESCRIPTION	REMARK
1	13100544332	1	TANK, FUEL	
2	90024305016	2	SCREW 5*16	
3	30511042030	1	STAND (BL)	
4	13100455530	1	CAP ASSY, FUEL TANK	Includes 5, 6
5	+ 13101655830	1	GASKET, FUEL CAP	
6	+ 13105156030	1	CLIP, FUEL CAP	
7	13130056431	1	VALVE, CHECK	
8	13011100530	1	CLIP	
9	V471001200	1	PIPE	
10	V137000030	1	GROMMET, FUEL	
11	13201309820	1	CLIP	
12	13120507320	1	STRAINER, FUEL	
13	13201056330	1	PIPE 3*6*90	
14	V471001190	1	PIPE	



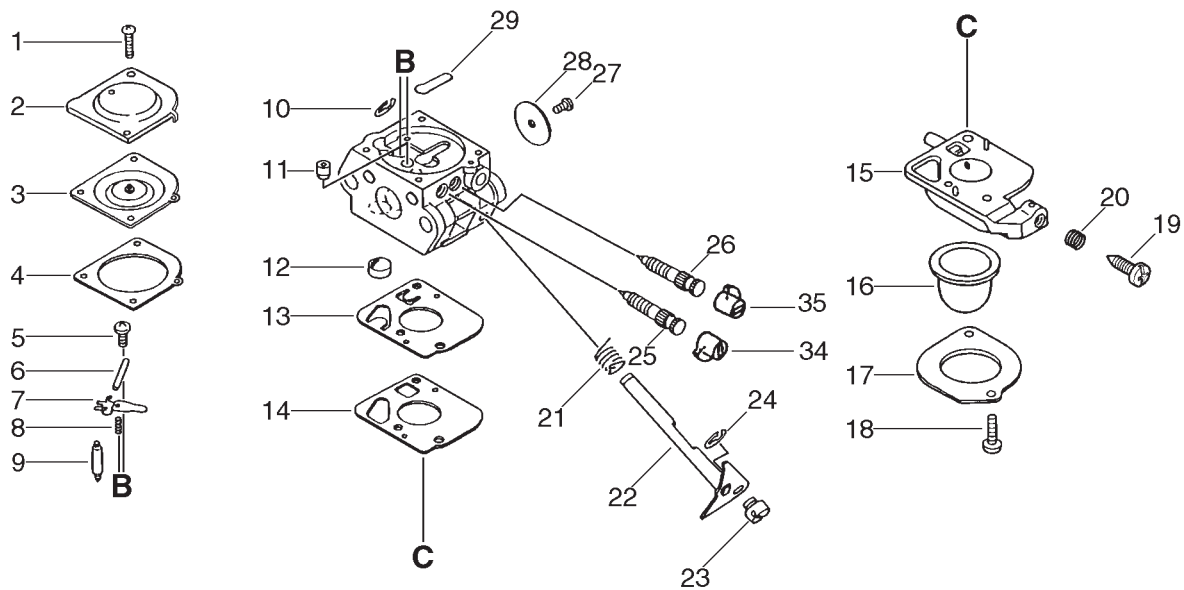
KEY	PART NUMBER	QTY	DESCRIPTION	REMARK
1	X690000050	1	GOGGLE	
2	C062000182	1	HARNESS, SHOULDER	
3	C550000100	1	SHIELD, BLADE	Includes 4
4	+ 90056500005	1	NUT	
5	P021002620	1	SHIELD, BLADE(W/KNIFE)	Includes 6 - 8
6	+ C550000080	1	SHIELD, BLADE	
7	+ C554000000	1	KNIFE, CORD	
8	+ 90025205012	1	SCREW 5*12	
9	C550000090	1	SHIELD, BLADE	
10	9111805022	1	SCREW 5*18	
11	69901356830	1	PLATE, SHIELD	
12	V203001980	4	BOLT	
13	X602000020	1	TOOL, WRENCH	
14	89561000130	1	L-WRENCH (4MM)	
15	X606000080	1	TOOL, BAR	
16	89851039130	1	BAG, TOOL	



KEY	PART NUMBER	QTY	DESCRIPTION	REMARK
1	61020628230	1	HOUSING ASS'Y D,SFT.	
2	89061743130	1	LABEL,CAUTION	
3	61001827830	1	SHAFT, DRIVE	
4	C646000060	1	HOOK ASS'Y	Includes 5-6
5	+ 30101505330	1	HOOK, BAND	
6	+ 9111905012	1	BOLT	
7	C400000000	1	HANDLE,FRONT	
8	C403000031	1	GRIP,HANDLE	
9	P021012821	1	FIXTURE,ASY HANDLE	Includes 10-14
10	+ 90056550008	1	NUT	
11	+ 9111805030	3	BOLT	
12	+ C423000041	1	FIXTURE,HANDLE	
13	+ V299000110	1	KNOB,FASTENER	
14	+ 60501454230	1	WASHER	
15	P021014090	1	GRIP ASY,F-HANDLE	Includes 16-18
16	+ 90025604016	3	SCREW 4*16	
17	+ 9111905030	1	BOLT	
18	+ 90050000005	1	NUT 5	
19	C450000270	1	CONTROL, THROTTLE	
20	C460000111	1	LOCKOUT, THROTTLE	
21	C463000020	1	KNOB, LATCH	
22	V452000360	1	SPRING,TORSION	
23	V452000350	1	SPRING,TORSION	
24	A440001220	1	SWITCH, ON OFF	
25	V430002350	1	CABLE,BOWDEN	
26	90050200006	2	NUT 6 (3N)	
27	15911209961	1	CLIP	
28	22492452130	2	CLIP	



KEY	PART NUMBER	QTY	DESCRIPTION	REMARK
1	P021012613	1	CASE,GEAR	Includes 2-24
2	+ 61030040830	1	GEAR SET	
3	+ 61031056831	1	SHAFT, P.T.O.	
4	+ 90081206201	1	BEARING, BALL 6201	
5	+ 90081000626	1	BEARING, BALL 626	
6	+ 90085506900	1	BEARING, BALL 6900	
7	+ 90085806900	1	BEARING, BALL 6900Z	
8	+ 90070200032	1	CIRCLIP 32	
9	+ 61044456830	1	WASHER	
10	+ 90070200022	1	CIRCLIP 22	
11	+ 90070600010	1	CIRCLIP 10	
12	+ 9111806025	1	BOLT	
13	+ 61047352131	1	SPRING	
14	+ 61043450031	1	BOLT 8* 8	
15	+ 90060350008	1	WASHER	
16	+ 90024205010	1	SCREW 5*10	
17	+ C535000001	1	FIXTURE,BLADE	Includes 18, 19
18	++ C535000011	1	FIXTURE,BLADE	
19	++ 61035256830	1	PLATE, CUP	
20	+ 90072000012	1	O-RING 12	
21	+ 61031452130	1	PLATE, ADAPTER (L)	
22	+ 69922956830	1	PLATE, COVER	
23	+ 61032052130	1	NUT 10	
24	+ C531000960	1	CASE, GEAR	



KEY	PART NUMBER	QTY	DESCRIPTION	REMARK
	12520052433	1	CARBURETOR	Includes 1 - 35
1	+ 12534452130	2	SCREW	
2	+ 12534252130	1	COVER, DIAPHRAGM	
3	+ 12534149030	1	DIAPHRAGM	
4	+ 12534051030	1	GASKET, DIAPHRAGM	
5	+ 12533942030	1	SCREW	
6	+ 12533813930	1	PIN, METERING ARM	
7	+ 12532342030	1	LEVER, METERING	
8	+ 12532211520	1	SPRING, COIL	
9	+ 12533706960	1	VALVE, INLET NEEDLE	
10	+ 12532715130	1	CLIP	
11	+ P005001050	1	NOZZLE, CHECK VALVE	
12	+ 12532642030	1	STRAINER	
13	+ 12531212820	1	DIAPHRAGM, FUEL PUMP	
14	+ 12532513310	1	GASKET, PUMP	
15	+ P005000590	1	BASE, ASY PRIMER	
16	+ 12538108660	1	PUMP, PRIMING	
17	+ 12536311610	1	RING	
18	+ 12531011610	2	SCREW	
19	+ 12533406960	1	SCREW, THROTTLE ADJUST	
20	+ 12533306960	1	SPRING, IDLE ADJUSTER	
21	+ 12531342030	1	SPRING, THRT. RETURN	
22	+ P005000390	1	SHAFT, THROTTLE	
23	+ 12537242030	1	SWIVEL	
24	+ 12532713930	1	CLIP	
25	+ P005001710	1	SCREW, MAIN MIXTURE	
26	+ P005001720	1	SCREW, IDLE MIXTURE	
27	+ 12531413930	1	SCREW	
28	+ 12531649030	1	VALVE, THROTTLE	
29	+ 12530015130	1	PLUG, WELCH	
34	+ A259000030	1	CAP, LIMITER	
35	+ 12532909860	1	LIMITER, MIXTURE	