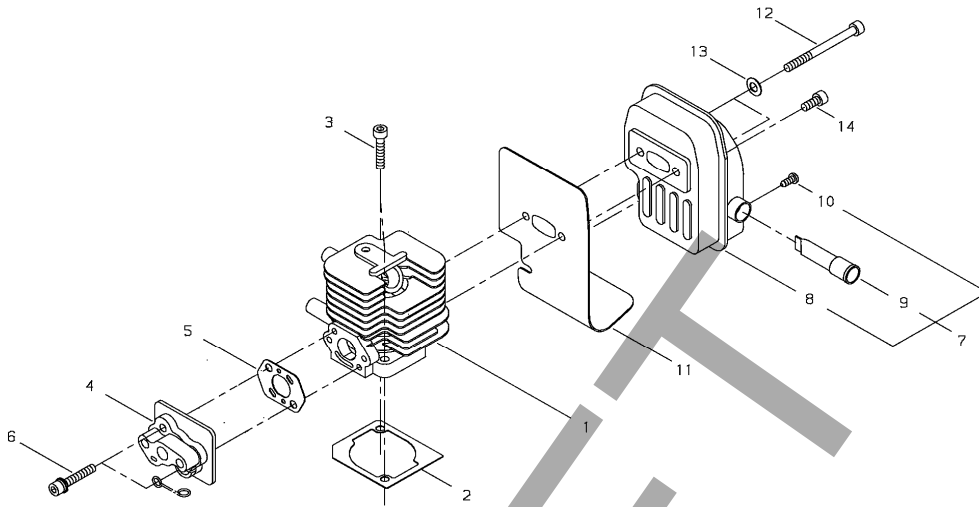


shindaiwa[®]

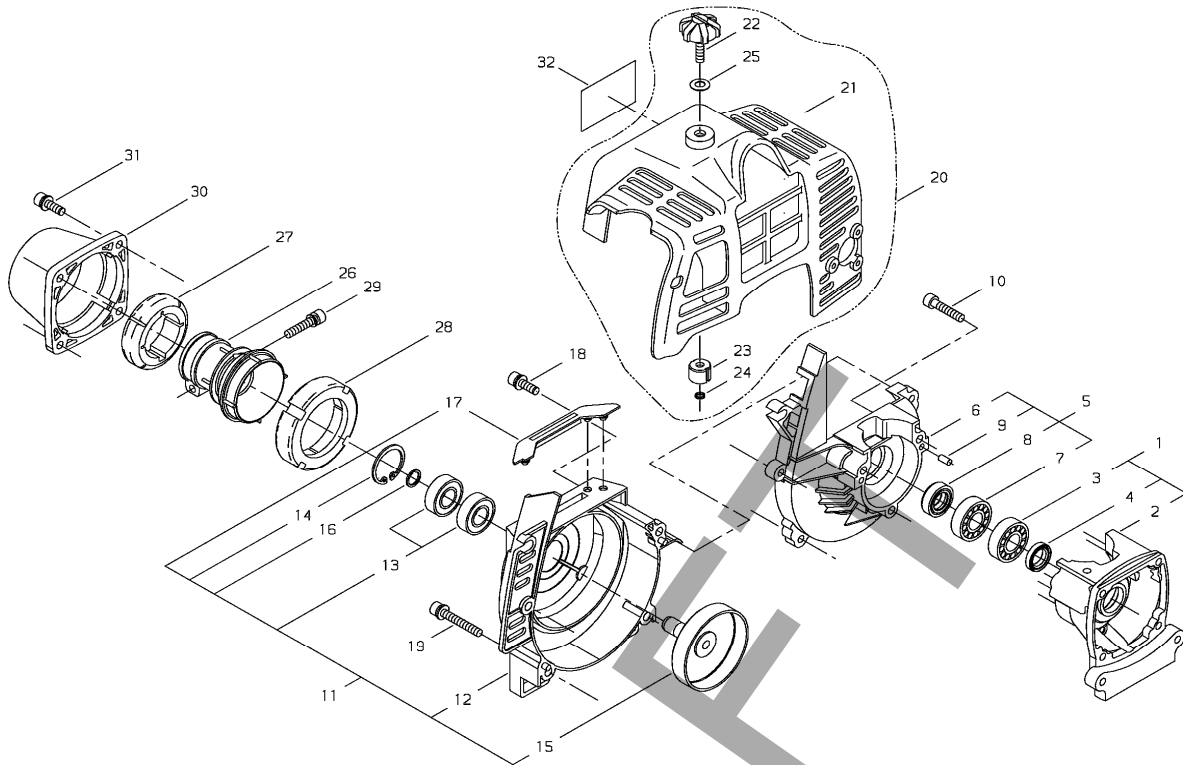
PARTS CATALOG
M230/EMC

DRAFT



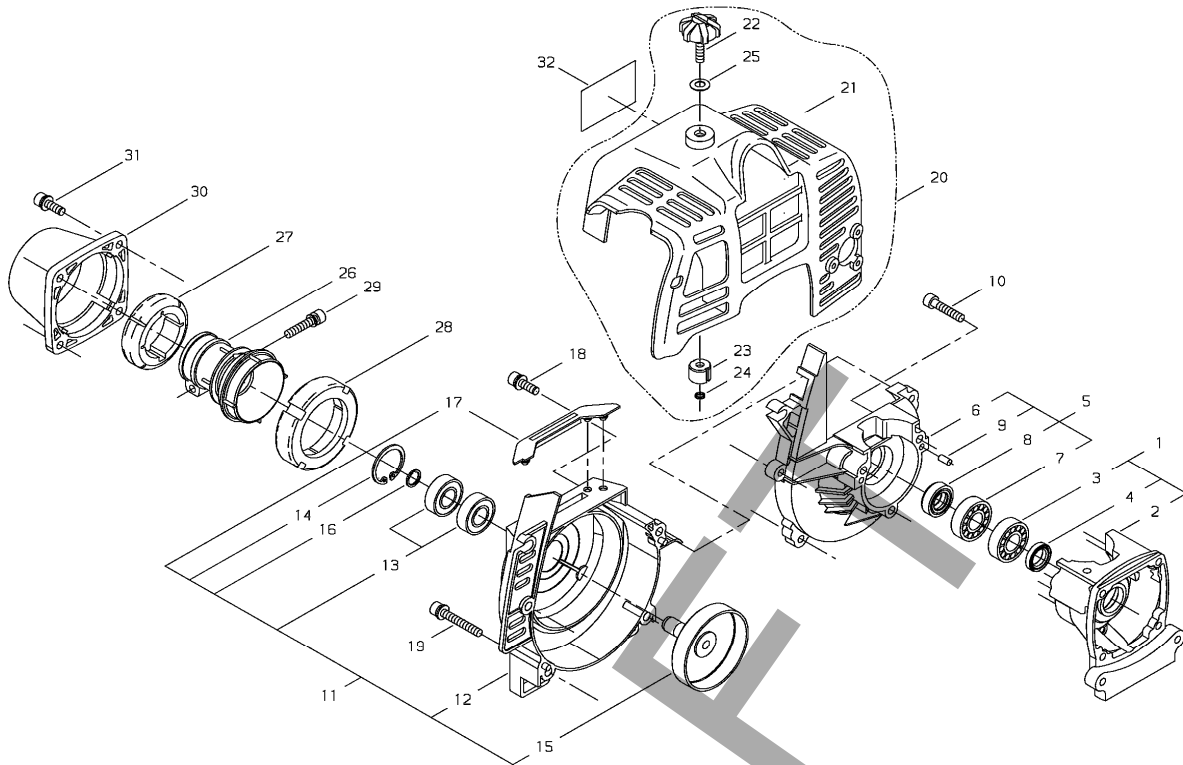
KEY	LV	OLD PART NO.	Q'TY	NEW PART NO.	DESCRIPTION
		+indicates that this part is included IN the assembly or service kit part number above			
		++indicates that this part is also included IN the part number with "+" listed above			
1		20016-12112	1	A130001390	CYLINDER
2		20016-12120	1	V100000490	GASKET
3		01020-05250	2	90010505025	BOLT
4		20016-12213	1	A200000770	INSULATOR
5		20016-12222	1	V103001200	GASKET
6		11022-05300	2	V203000580	BOLT
7		70135-15100	1	A030000120	MUFFLER SUB ASSY
8	+	70135-15110	1	A300000890	MUFFLER
9	+	70103-15150	1	A310000260	SPARK ARRESTER
10	+	01270-03062	1	9137403006	SCREW TAPPING
11		20016-15122	1	2001615123	GASKET
12		01020-05500	2	90010505050	BOLT
13		01610-05080	2	90060000005	WASHER
14		01020-05120	1	90010505012	BOLT

M230/EMC 2 CRANKCASE

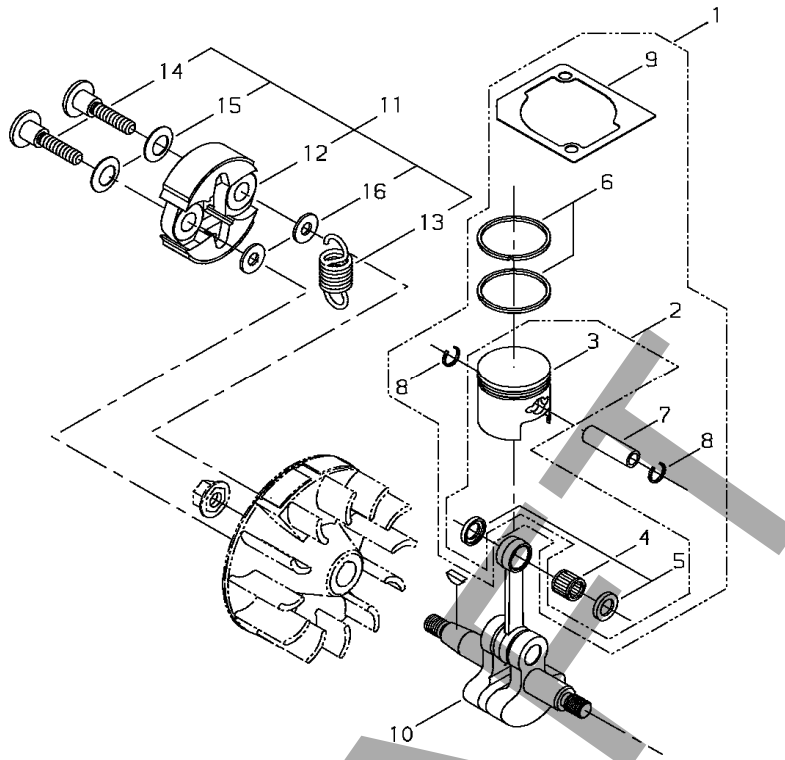


KEY	LV	OLD PART NO.	Q'TY	NEW PART NO.	DESCRIPTION
1		62064-21010	1	2001621100	CRANK CASE S COMP
2	+	20016-21111	1	A120000480	CRANK CASE S
3	+	12900-60010	1	V592000070	BALL BEARING
4	+	22150-21250	1	V505000140	SEAL,OIL
5		62064-21020	1	2001621200	CRANK CASE M COMP
6	+	20016-21120	1	A120000490	CRANK CASE M
7	+	12900-60010	1	V592000070	BALL BEARING
8	+	20000-21211	1	V505000080	OIL SEAL
9	+	12492-40080	2	V622000040	ROLLER
10		01020-05250	3	90010505025	BOLT
11		62010-31011	1	P021027660	FAN COVER COMP
12	+	70140-31113	1	A172001370	FAN COVER
13	+	02002-06000	2	9404406000	BALL BEARING
14	+	02432-26120	1	9242426000	SNAP RING
15	+	20087-31210	1	A556000960	CLUTCH DRUM
16	+	22000-13320	1	V583000160	SNAP RING
17	+	70140-31130	1	V420002620	CUSHION
18		11022-05160	2	V203000590	BOLT
19		11022-05450	2	V203000610	BOLT
20		62010-32010	1	P021027670	CYLINDER COVER ASSY
21	+	70140-32111	1	A160001840	CYLINDER COVER
22	+	20018-31251	1	V299000420	KNOB
23	+	20018-31260	1	V353000430	INSULATOR
24	+	20018-31270	1	V490000680	CLIP
25	+	20024-81790	1	V347000030	CONE WASHER
26		20018-31411	1	A575000180	JOINT

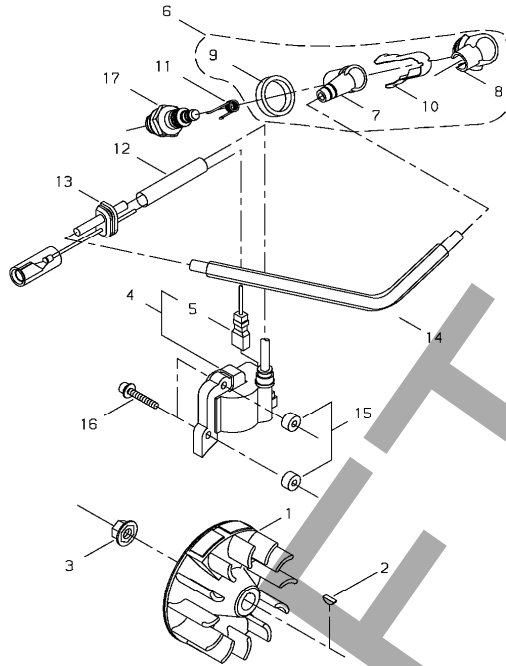
M230/EMC 2 CRANKCASE



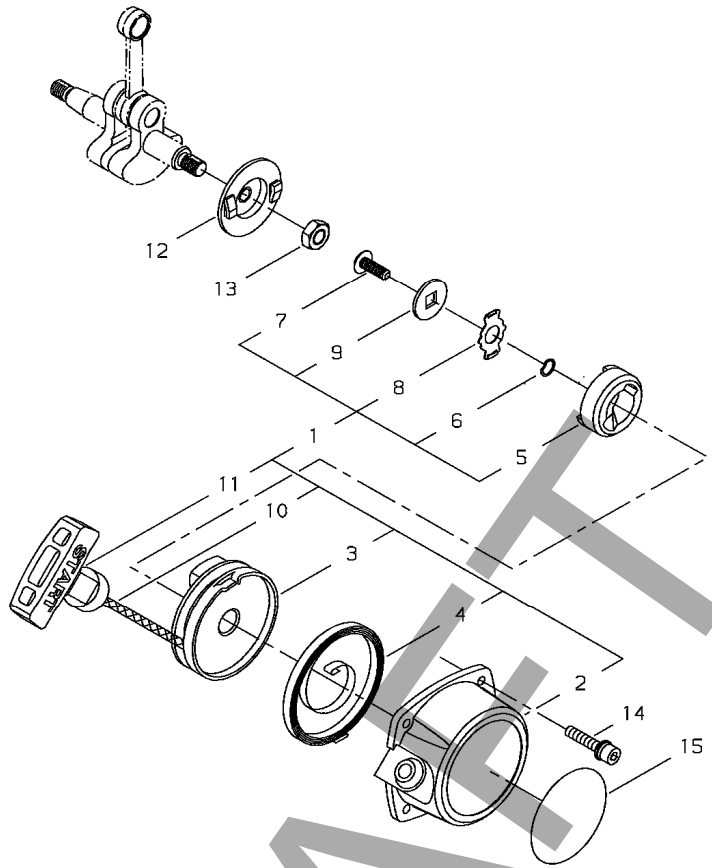
KEY	LV	OLD PART NO.	Q'TY	NEW PART NO.	DESCRIPTION
27		20018-31420	1	V420002640	FRONT CUSHION
28		20018-31430	1	V420002650	REAR CUSHION
29		11023-05250	1	V203000560	BOLT
30		70135-31470	1	A575000460	CAP
31		11022-05160	4	V203000590	BOLT
32		65000-91020	1	X504003270	LABEL TRADE



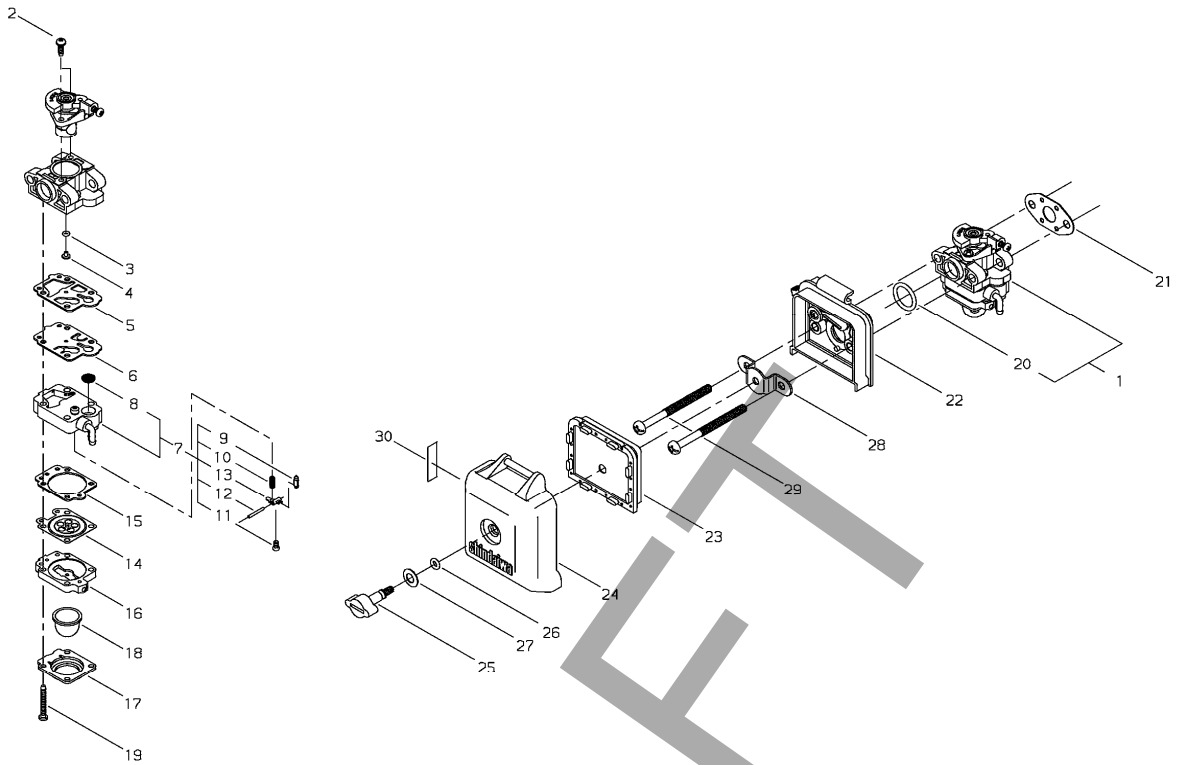
KEY	LV	OLD PART NO.	Q'TY	NEW PART NO.	DESCRIPTION
1		70234-98011	1	P021030500	PISTON SET
2	+	70234-98310	1	P021030530	PISTON SET
3	++	20075-41111	1	A100000730	PISTON
4	++	37013-41230	1	V553000080	NEEDLE BEARING
5	++	37013-41240	2	V306000250	THRUST WASHER
6	+	20000-41210	2	A101000400	PISTON RING
7	+	20075-41310	1	V606000060	PISTON PIN
8	+	70030-41320	2	V580000070	RING,END
9	+	20016-12120	1	V100000490	GASKET
10		20016-42002	1	A011000930	CRANK SHAFT ASSY
11		70140-51102	1	A056000260	CLUTCH SHOE ASSY
12	+	70140-51113	2	A553000060	CLUTCH SHOE
13	+	37013-51310	1	A566000050	COIL SPRING
14	+	20087-51210	2	A557000040	BOLT
15	+	20087-51231	2	V346000040	SPRING PLATE
16	+	22100-71430	2	V304000150	WASHER



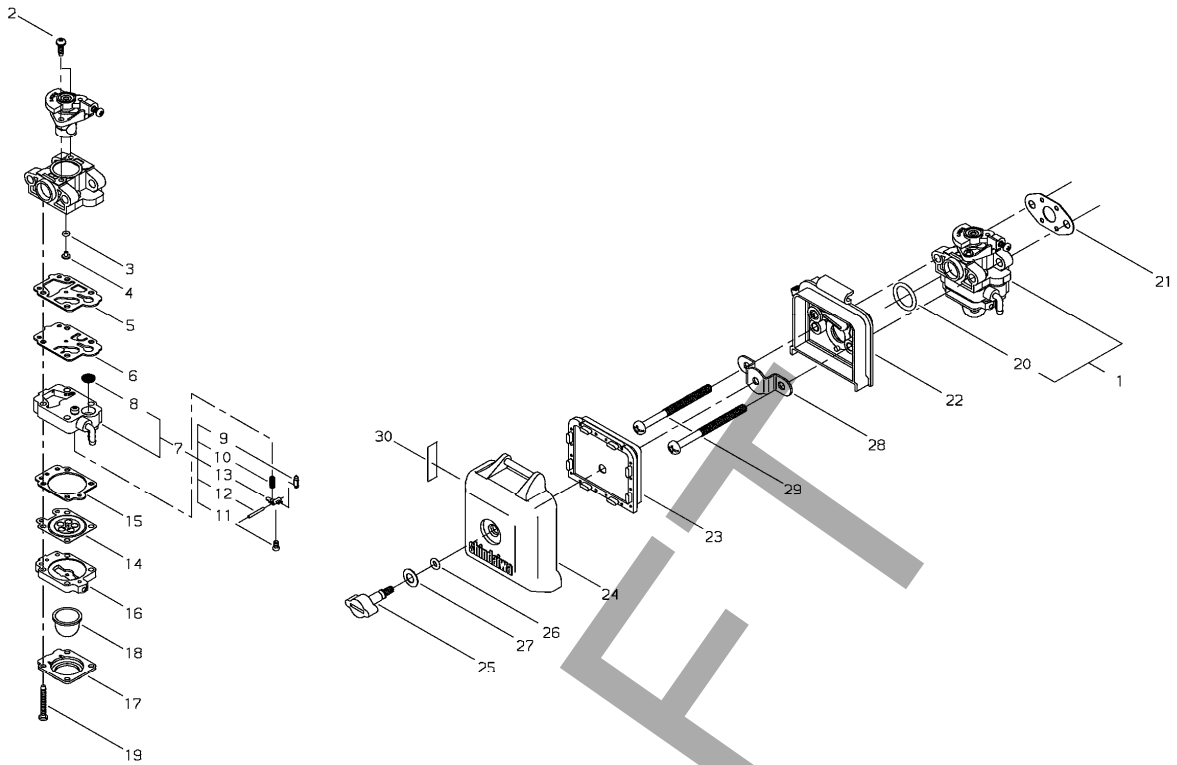
KEY	LV	OLD PART NO.	Q'TY	NEW PART NO.	DESCRIPTION
1		20016-71200	1	A409000730	ROTOR
2		02403-03100	1	9311503010	KEY
3		20035-71220	1	V265000140	NUT
4		20016-71601	1	A411000880	COIL ASSY
5	+	20016-71641	1	V485001960	CORD
6		70223-72200	1	A427000070	PLUG CAP COMP
7	+	20010-72221	1	A427000090	PLUG CAP
8	+	20000-72241	1	A429000110	PLUG CAP COVER
9	+	20000-72250	1	V495001440	COVER BAND
10	+	70180-72260	1	V151000050	SHIELD
11		20000-72230	1	A426000050	SPRING SPARK PLUG
12		20016-71651	1	V475005140	TUBE
13		20010-72110	1	V135000100	GROMMET
14		20016-71660	1	V475004840	TUBE
15		70030-71620	2	V322000040	INSULATOR
16		11024-04261	2	V202000330	BOLT
17		13000-13406	1	15901010130	SPARK PLUG BMR6A



KEY	LV	OLD PART NO.	Q'TY	NEW PART NO.	DESCRIPTION
1		72933-75900	1	A051001860	RECOIL STARETR
2	+	70064-75110	1	A500001060	STARTER CASE
3	+	72933-75120	1	A506000120	REEL
4	+	70064-75130	1	A504000050	RECOIL SPRING
5	+	72933-75140	1	A518000010	DOG
6	+	70064-75150	1	V346000030	WAVE WASHER
7	+	72933-75160	1	V253000260	SCREW
8	+	72933-75170	1	A606000000	RETAINER
9	+	72933-75180	1	V303000110	WASHER
10	+	70064-75190	1	A509000320	ROPE
11	+	32004-75150	1	A511000090	KNOB
12		70064-75310	1	A520000080	STARTER PULLEY
13		01511-08051	1	90050300008	NUT
14		11060-04122	4	V202000380	BOLT ADHESIVE
15		70117-75311	1	7011775312	NAME PLATE

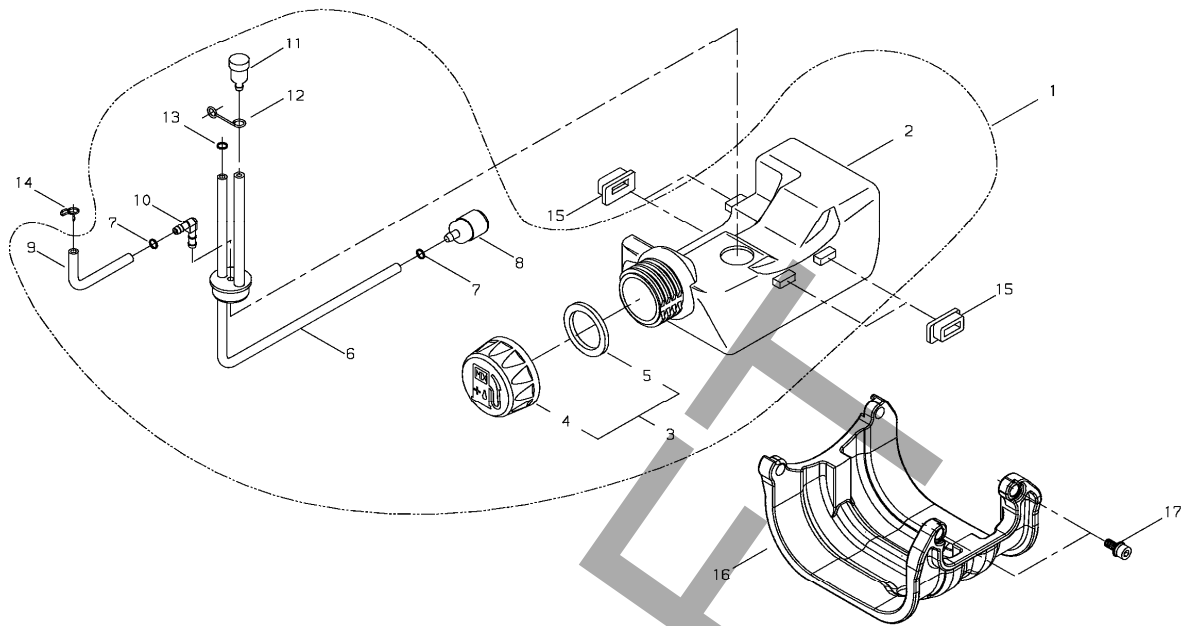


KEY	LV	OLD PART NO.	Q'TY	NEW PART NO.	DESCRIPTION
1		65028-81010	1	A021002730	CARBURETOR ASSY
2	+	70064-81290	2	12311444330	SCREW
3	+	70097-81220	1	12318340630	O-RING
4	+	62064-81310	1	P003000860	MAIN JET
5	+	70097-81310	1	12312540630	GASKET,PUMP
6	+	70097-81320	1	12311240630	DIAPHRAGM
7	+	20016-81410	1	P003000440	PUMP BODY COMP
8	++	70030-81380	1	12312610631	SCREEN
9	++	20036-81440	1	12313719830	VALVE
10	++	20016-81270	1	P003000450	SPRING
11	++	20016-81450	1	12313905560	SCREW
12	++	22100-81250	1	12313803930	PIN
13	++	22100-81230	1	12312338330	LEVER, METERING
14	+	37013-81310	1	P003000090	DIAPHRAGM
15	+	20016-81280	1	12314005560	GASKET
16	+	20016-81420	1	12318005560	PUMP BASE COMP
17	+	20016-81510	1	12314205560	PUMP COVER
18	+	20036-81670	1	12318140630	PRIMER PUMP
19	+	20016-81140	4	12311005560	SCREW
20	+	20016-81250	1	90072000015	O RING
21		20016-81530	1	V103001210	GASKET
22		70140-81710	1	A023000230	CLEANER BODY COMP
23		60023-98031	1	A226000600	FILTER
24		70140-81760	1	A232000940	CLEANER COVER
25		20115-81780	1	V299000430	KNOB CLEANER COVER
26		22100-82430	1	V581000200	O RING

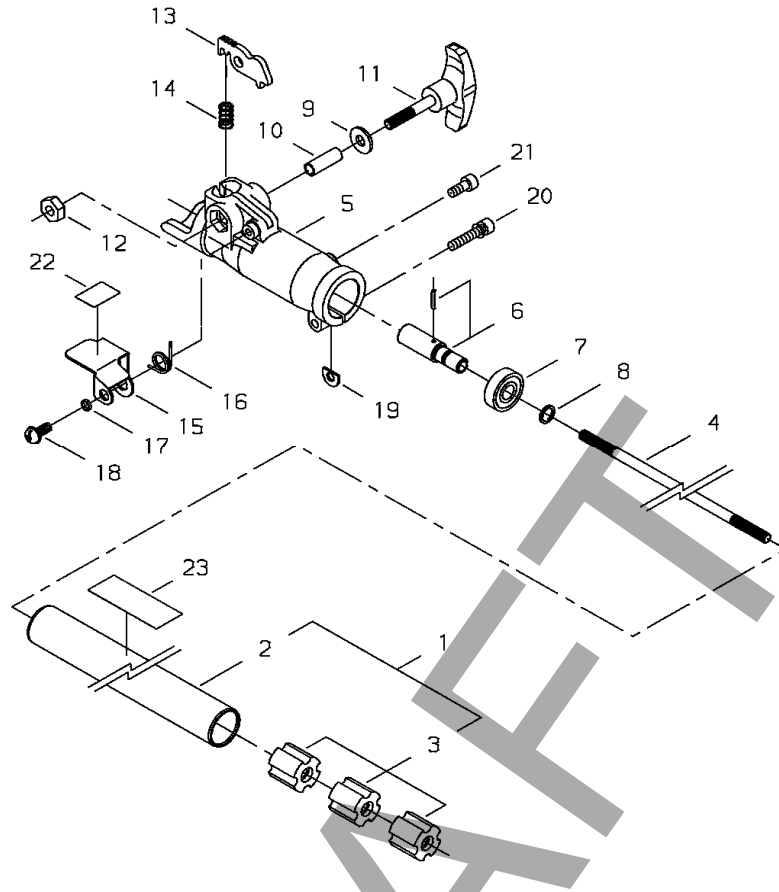


KEY	LV	OLD PART NO.	Q'TY	NEW PART NO.	DESCRIPTION
27		20024-81790	1	V347000030	CONE WASHER
28		20018-81721	1	A244000190	BACK PLATE
29		11203-05608	2	9157905060	SCREW
30		19404-00008	1	X506000130	LABEL CHOKE

M230/EMC 7 FUEL TANK

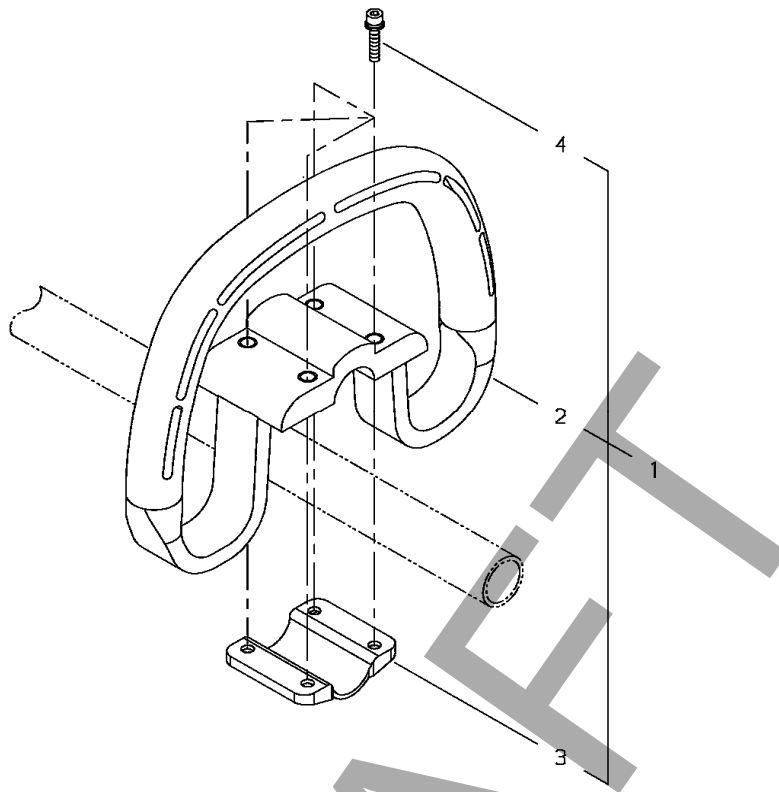


KEY	LV	OLD PART NO.	Q'TY	NEW PART NO.	DESCRIPTION
1		20016-85003	1	A038000430	FUEL TANK ASSY
2	+	20016-85112	1	A350001530	FUEL TANK
3	+	70043-85201	1	A033000070	FUEL CAP SUB ASSY
4	++	70168-85210	1	A355000180	FUEL CAP
5	++	20000-85221	1	V107000010	GASKET
6	+	20016-85310	1	V470001210	FUEL PIPE
7	+	20020-85540	2	V490000500	CLIP
8	+	20016-85400	1	A369000070	FUEL FILTER
9	+	20089-83311	1	V471002790	PIPE
10	+	20087-85340	1	V186000270	JOINT,PIPE
11	+	20035-85522	1	A356000040	VALVE
12	+	20016-12310	1	A358000040	VALVE HOLDER
13	+	20020-85540	1	V490000500	CLIP
14		37013-85310	1	V490000510	CLIP
15		20024-86120	4	V420002630	TANK CUSHION
16		62902-85320	1	A175000220	TANK GUARD
17		11022-05160	2	V203000590	BOLT

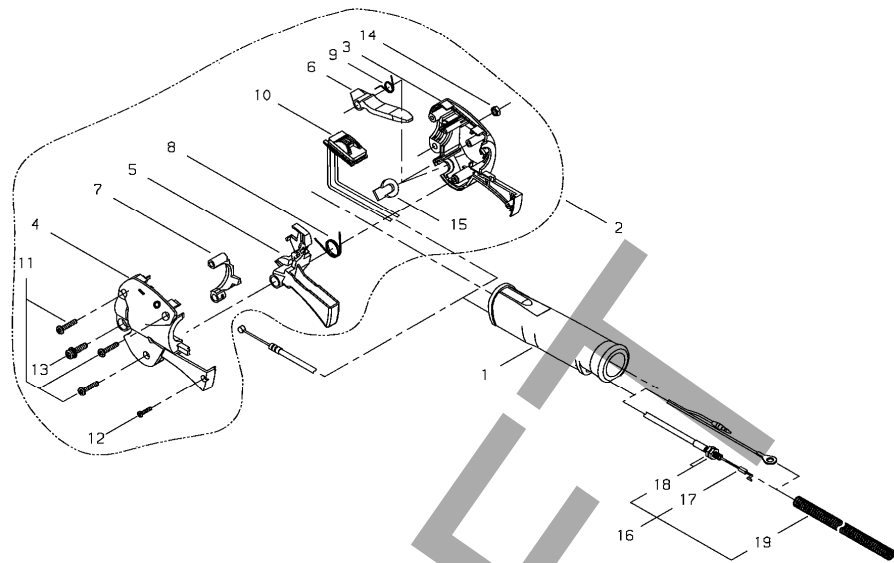


KEY	LV	OLD PART NO.	Q'TY	NEW PART NO.	DESCRIPTION
1		65005-62010	1	C050001500	OUTER PIPE COMP
2	+	63880-64320	1	C500000480	OUTER PIPE
3	+	22035-12121	3	C501000010	BUSH
4		63880-64340	1	C504000550	MAIN SHAFT
5		37000-62220	1	C510000200	JOINT CASE
6		63880-64360	1	P021028880	JOINT SHAFT
7		02002-00609	1	90080400609	BEARING
8		22420-13350	1	90070600009	SNAP RING
9		72030-14130	1	V304000160	WASHER
10		17901-06220	1	V354000260	COLLAR
11		63880-64380	1	V299000350	KNOB
12		63880-64410	1	V264000120	NUT
13		37000-62310	1	C661000050	LOCK LEVER
14		17500-06001	1	V450000860	COIL SPRING
15		37000-62340	1	C516000020	COVER
16		17520-12400	1	V452000510	COIL SPRING
17		15401-00004	1	V353000330	COLLAR
18		11207-05120	1	9157705012	SCREW
19		22000-13420	1	V340000300	SHIM
20		11023-05250	1	V203000560	BOLT
21		01020-05120	1	90010505012	BOLT
22		19401-00168	1	X505002880	LABEL INST
23		19402-00303	1	X505003490	LABEL CAUTION

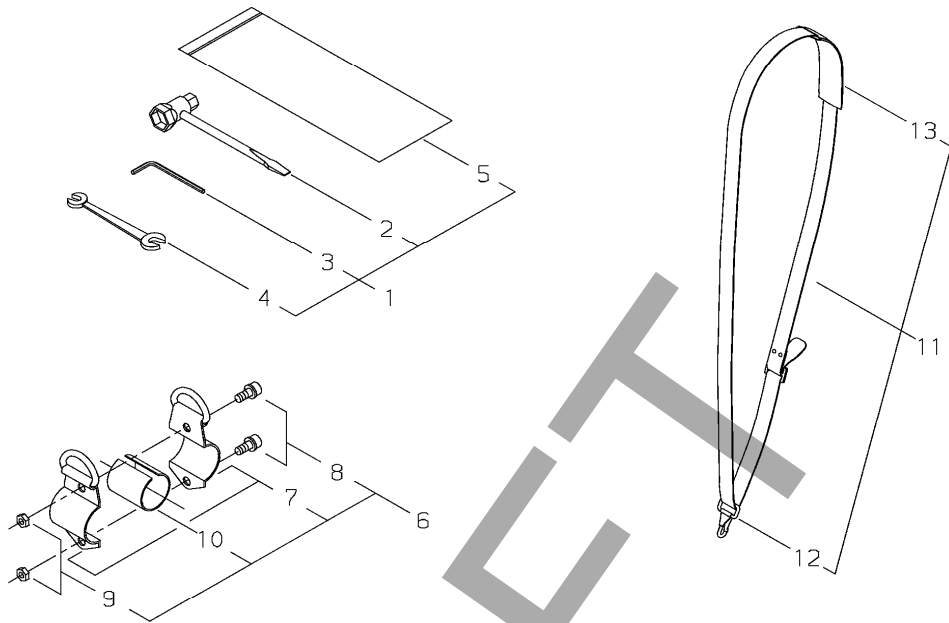
M230/EMC 9 HANDLE



KEY	LV	OLD PART NO.	Q'TY	NEW PART NO.	DESCRIPTION
1		62039-64011	1	P021027830	HANDLE ASSY
2	+	62901-64322	1	G400000640	HANDLE
3	+	62901-64120	1	C423000430	CLAMP
4	+	11022-05250	4	V203000630	BOLT



KEY	LV	OLD PART NO.	Q'TY	NEW PART NO.	DESCRIPTION
1		63901-62142	1	C412000260	GRIP
2		63023-62313	1	C044000450	THROTTLE LEVER ASSY
3	+	63901-62321	1	C401000160	BODY RIGHT
4	+	63901-62332	1	C401000170	BODY LEFT
5	+	63901-62341	1	C450000490	LEVER
6	+	63901-62352	1	C460000190	LOCK LEVER
7	+	63901-62361	1	C461000030	HOLDER
8	+	63880-65350	1	V452000700	COIL SPRING
9	+	63901-62370	1	V452000500	COIL SPRING
10	+	63023-62320	1	A045000230	SWITCH
11	+	63880-65360	3	V252000380	SCREW TAPPING
12	+	63901-62390	1	V251000040	SCREW TAPPING
13	+	63901-62410	1	V253000340	SCREW
14	+	01501-05030	1	9201705000	NUT
15	+	63880-65411	1	V162000350	PLUG
16		63023-62330	1	P021028640	THROTTLE CABLE ASSY
17	+	63023-62170	1	V430002650	THROTTLE CABLE
18	+	01501-06041	2	90050200006	NUT
19	+	22422-14540	1	V475004520	TUBE



KEY	LV	OLD PART NO.	Q'TY	NEW PART NO.	DESCRIPTION
1		78700-92010	1	-	TOOL SET
2	+	22102-91410	1	X602000190	PLUG WRENCH
3	+	09026-04001	1	X605000100	HEXA WRENCH
4	+	22000-91120	1	X600000020	SPANNER
5	+	19639-01100	1	X705000130	POLY BAG
6		60840-98020	1	P021027480	HANGER ASSY
7	+	22000-12210	2	SUPPLY DISCONTINUED	HANGER
8	+	11020-05120	2	V203000950	BOLT
9	+	01500-05041	2	90050000005	NUT
10	+	60840-98030	1	V376001830	SPACER
11		22410-17202	1	C062000340	STRAP ASSY
12	+	37013-67310	1	C649000170	HOOK
13	+	22007-17220	1	C644000080	PROTECTOR

Index

Patrs Number	Key No.	Patrs Number	Key No.	Patrs Number	Key No.
01020-05120	1 - 15	20016-12112	1 - 1	20087-85340	7 - 11
01020-05120	8 - 21	20016-12120	1 - 2	20089-83311	7 - 10
01020-05250	1 - 3	20016-12120	3 - 14	20115-81780	6 - 26
01020-05250	2 - 10	20016-12213	1 - 4	22000-12210	11 - 7
01020-05500	1 - 13	20016-12222	1 - 5	22000-13320	2 - 16
01270-03062	1 - 11	20016-12310	7 - 13	22000-13420	8 - 19
01500-05041	11 - 9	20016-15122	1 - 12	22000-91120	11 - 4
01501-05030	10 - 14	20016-21111	2 - 2	22007-17220	11 - 13
01501-06041	10 - 18	20016-21120	2 - 6	22035-12121	8 - 3
01511-08051	5 - 13	20016-42002	3 - 7	22100-71430	3 - 13
01610-05080	1 - 14	20016-71200	4 - 1	22100-81230	6 - 14
02002-00609	8 - 7	20016-71601	4 - 4	22100-81250	6 - 13
02002-06000	2 - 13	20016-71641	4 - 5	22100-82430	6 - 27
02403-03100	4 - 2	20016-71651	4 - 12	22102-91410	11 - 2
02432-26120	2 - 14	20016-71660	4 - 14	22150-21250	2 - 4
09026-04001	11 - 3	20016-81140	6 - 20	22410-17202	11 - 11
11020-05120	11 - 8	20016-81250	6 - 21	22420-13350	8 - 8
11022-05160	2 - 18	20016-81270	6 - 11	22422-14540	10 - 19
11022-05160	2 - 32	20016-81280	6 - 16	32004-75150	5 - 11
11022-05160	7 - 18	20016-81410	6 - 8	37000-62220	8 - 5
11022-05250	9 - 4	20016-81420	6 - 17	37000-62310	8 - 13
11022-05300	1 - 7	20016-81450	6 - 12	37000-62340	8 - 15
11022-05450	2 - 19	20016-81510	6 - 18	37013-41230	3 - 5
11023-05250	2 - 29	20016-81530	6 - 22	37013-41240	3 - 6
11023-05250	8 - 20	20016-85003	7 - 1	37013-51310	3 - 10
11024-04261	4 - 16	20016-85112	7 - 2	37013-67310	11 - 12
11060-04122	5 - 14	20016-85310	7 - 6	37013-81310	6 - 15
11203-05608	6 - 30	20016-85400	7 - 9	37013-85310	7 - 15
11207-05120	8 - 18	20018-31251	2 - 22	60023-98031	6 - 24
12492-40080	2 - 9	20018-31260	2 - 23	60840-98020	11 - 6
12900-60010	2 - 3	20018-31270	2 - 24	60840-98030	11 - 10
12900-60010	2 - 7	20018-31411	2 - 26	62010-31011	2 - 11
13000-13406	4 - 17	20018-31420	2 - 27	62010-32010	2 - 20
15401-00004	8 - 17	20018-31430	2 - 28	62039-64011	9 - 1
17500-06001	8 - 14	20018-81721	6 - 29	62064-21010	2 - 1
17520-12400	8 - 16	20020-85540	7 - 8	62064-21020	2 - 5
17901-06220	8 - 10	20020-85540	7 - 14	62064-81310	6 - 5
19401-00168	8 - 22	20024-81790	2 - 25	62901-64120	9 - 3
19402-00303	8 - 23	20024-81790	6 - 28	62901-64322	9 - 2
19404-00008	6 - 31	20024-86120	7 - 16	62902-85320	7 - 17
19639-01100	11 - 5	20035-71220	4 - 3	63023-62170	10 - 17
20000-21211	2 - 8	20035-85522	7 - 12	63023-62313	10 - 2
20000-41210	3 - 2	20036-81440	6 - 10	63023-62320	10 - 10
20000-72230	4 - 11	20036-81670	6 - 19	63023-62330	10 - 16
20000-72241	4 - 8	20075-41111	3 - 1	63880-64320	8 - 2
20000-72250	4 - 9	20075-41310	3 - 3	63880-64340	8 - 4
20000-85221	7 - 5	20087-31210	2 - 15	63880-64360	8 - 6
20010-72110	4 - 13	20087-51210	3 - 11	63880-64380	8 - 11
20010-72221	4 - 7	20087-51231	3 - 12	63880-64410	8 - 12

Index

Patrs Number	Key No.	Patrs Number	Key No.	Patrs Number	Key No.
63880-65350	10 - 8	72933-75140	5 - 5		
63880-65360	10 - 11	72933-75160	5 - 7		
63880-65411	10 - 15	72933-75170	5 - 8		
63901-62142	10 - 1	72933-75180	5 - 9		
63901-62321	10 - 3	72933-75900	5 - 1		
63901-62332	10 - 4	78700-92010	11 - 1		
63901-62341	10 - 5				
63901-62352	10 - 6				
63901-62361	10 - 7				
63901-62370	10 - 9				
63901-62390	10 - 12				
63901-62410	10 - 13				
65000-91020	2 - 33				
65005-62010	8 - 1				
65007-94010	11 - 14				
65028-81010	6 - 1				
65028-81310	6 - 2				
70030-41320	3 - 4				
70030-71620	4 - 15				
70030-81380	6 - 9				
70043-85201	7 - 3				
70064-75110	5 - 2				
70064-75130	5 - 4				
70064-75150	5 - 6				
70064-75190	5 - 10				
70064-75310	5 - 12				
70064-81290	6 - 3				
70097-81220	6 - 4				
70097-81310	6 - 6				
70097-81320	6 - 7				
70103-15150	1 - 10				
70117-75311	5 - 15				
70135-15100	1 - 8				
70135-15110	1 - 9				
70135-31470	2 - 31				
70140-31113	2 - 12				
70140-31130	2 - 17				
70140-32111	2 - 21				
70140-51102	3 - 8				
70140-51113	3 - 9				
70140-81710	6 - 23				
70140-81760	6 - 25				
70168-85210	7 - 4				
70180-72260	4 - 10				
70223-72200	4 - 6				
70234-98011	3 - 15				
70234-98310	3 - 16				
72030-14130	8 - 9				
72933-75120	5 - 3				

YAMABIKO CORPORATION

7-2 SUEHIROCHO 1-CHOME, OHME, TOKYO 198-8760, JAPAN
PHONE: 81-428-32-6118. FAX: 81-428-32-6145.

DRAFT

shindaiwa[®]