



AVAILABLE ACCESSORIES:

Dusting Attachment                      DMAD-4610

PARTS CATALOG

**DM-4610  
Duster/Mist Blower**



**44 cc**

**SERIAL NUMBER**

**S/N: D02936001001-D02936999999**

**ECHO, INCORPORATED**

400 Oakwood Road    Lake Zurich, Illinois 60047  
WWW.ECHO-USA.COM

**Piston, Crankcase, Engine Cover..... 3**

**Piston, Crankcase, Engine Cover..... 4**

**Fuel System..... 5**

**Fuel System..... 6**

**Starter ..... 7**

**Starter ..... 8**

**Fan Case, Lower Tank ..... 9**

**Backpack Frame, Harness ..... 10**

**Control Levers ..... 11**

**Nozzle, Blower Tubes..... 12**

**Chemical Tank..... 13**

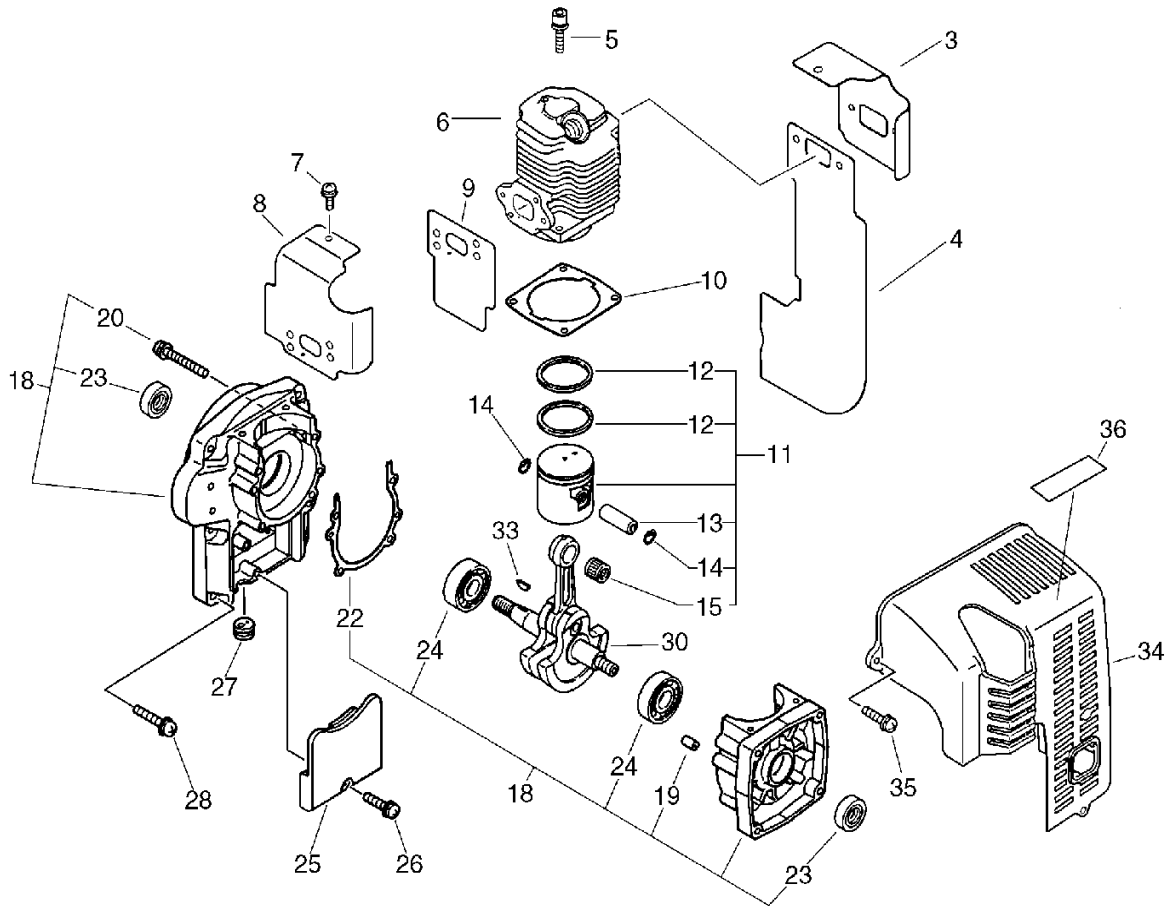
**Chemical Tank..... 14**

**Carburetor..... 15**

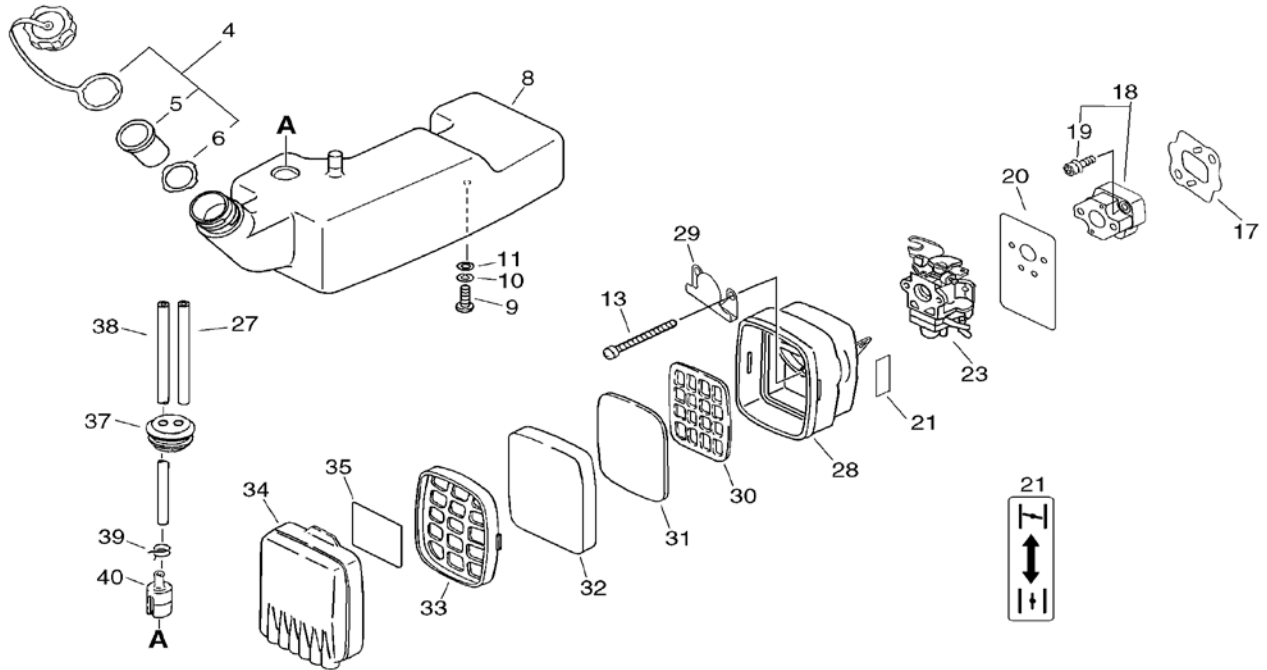
**Carburetor..... 16**

**Shutter Assembly ..... 17**

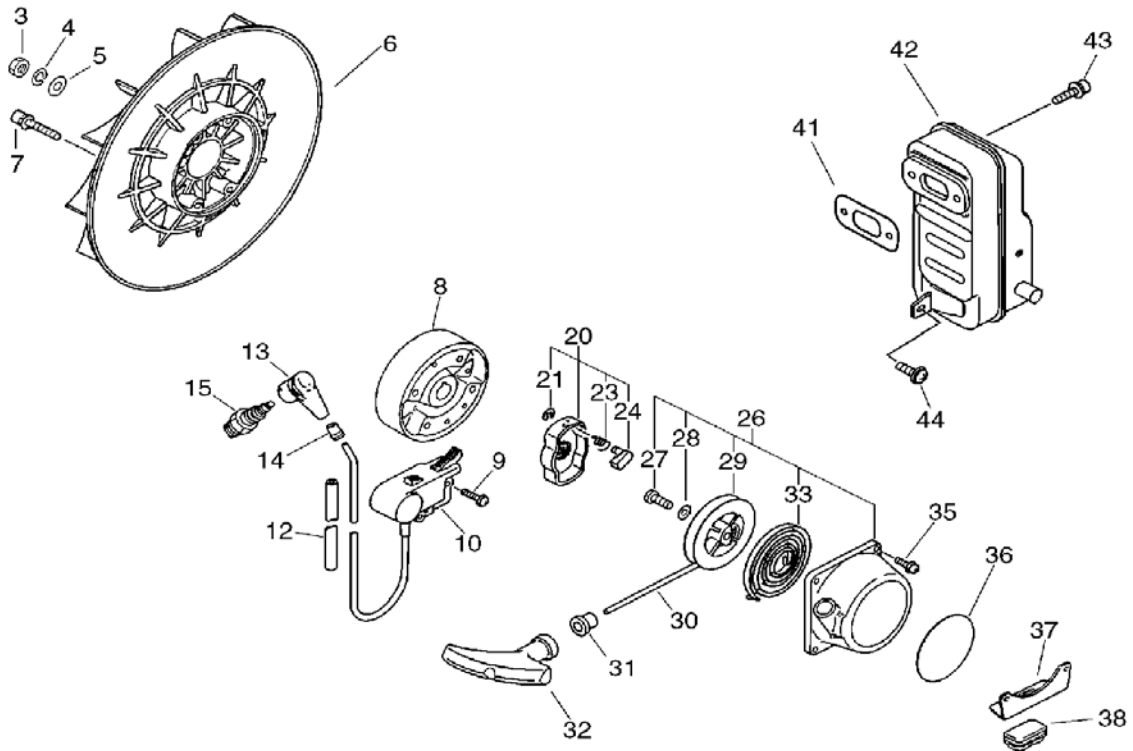
**Dusting Attachment..... 18**



NO.	PART NUMBER	QTY.	DESCRIPTION
3	10151406210	1	COVER, CYLINDER
4	14551206211	1	GASKET, MUFFLER
5	90016205022	4	BOLT, H.S. 5*22
6	A130000210	1	CYLINDER
7	90024205010	1	SCREW 5*10
8	A160000680	1	COVER,CYLINDER
9	13001606211	1	GASKET, INTAKE
10	10101010722	1	GASKET, CYL. BASE
11	P021002540	1	PISTON KIT
12	10001110530	2	+RING, PISTON
13	10001300410	1	+PIN, PISTON
14	V580000010	2	+RING,END
15	10001212330	1	+BEARING, NEEDLE
18	10020408261	1	CRANKCASE KIT
19	10021503930	2	+PIN, DOWEL
20	90024205040	4	+SCREW 5*40
22	10024210721	1	+GASKET, CRANKCASE
23	10021300310	2	+OILSEAL
24	90081036202	2	+BEARING, BALL 6202
25	15912908261	1	COVER, DUST
26	90023805018	1	SCREW 5*18
27	15011200310	1	BUSHING
28	90029205025	6	SCREW 5*25
30	10010006210	1	CRANKSHAFT ASSY
33	90032303014	1	KEY WOODRUFF
34	10401606410	1	COVER, ENGINE
35	90029205020	3	SCREW 5*20
36	X505002310	1	LABEL,CAUTION

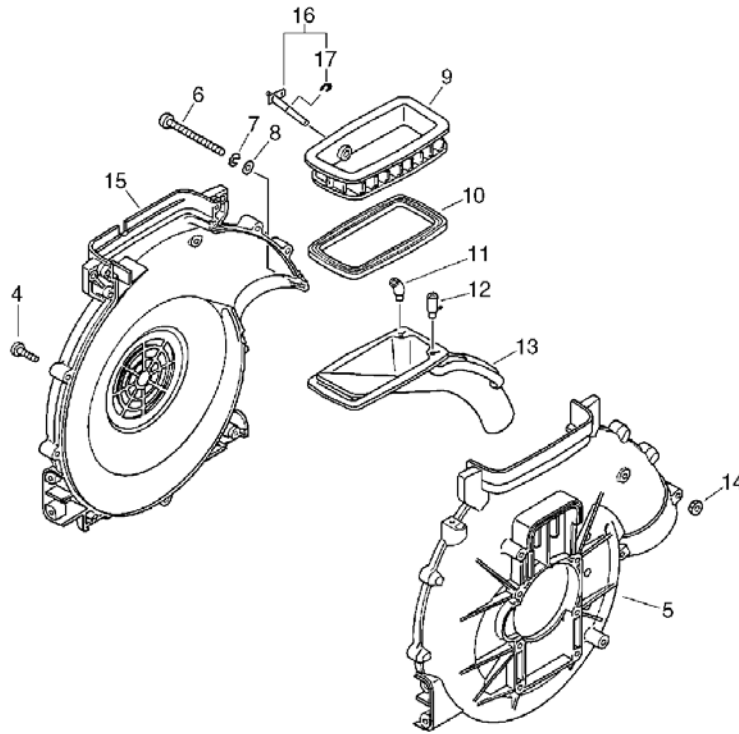


NO.	PART NUMBER	QTY.	DESCRIPTION
4	13160021060	1	CAP ASSY, FUEL TANK
5	13100305330	1	+CUP SET, VENT
6	13101621060	1	+GASKET, FUEL CAP
8	A350000342	1	TANK,FUEL
9	90022006014	2	SCREW +SR 6*14
10	90060500006	2	WASHER, SPRING 6
11	14564200760	2	WASHER 6.5*18*1.6
13	9133105060	2	SCREW
17	V103000000	1	GASKET,INTAKE
18	P021010210	1	INSULATOR,INTAKE KIT
19	90010605030	2	+BOLT, H.S.H. 5*30
20	V103000221	1	GASKET,INTAKE
21	89012165830	1	LABEL, CHOKE
23	A021001040	1	CARBURETOR,DIAPHRAGM
27	V471000550	1	PIPE
28	P021008620	1	CLEANER CASE ASY
29	A244000040	1	PLATE,PREVENT
30	13031903710	1	GRID, AIR CLEANER
31	13031703710	1	FILTER, AIR
32	13031002910	1	FILTER, AIR
33	13031103710	1	GRID, AIR CLEANER
34	13031303710	1	COVER, AIR CLEANER
35	89018703710	1	LABEL, CLEANER
37	13211556230	1	GROMMET, FUEL
38	V471000770	1	PIPE
39	13201326630	1	CLIP
40	13120519831	1	STRAINER, FUEL

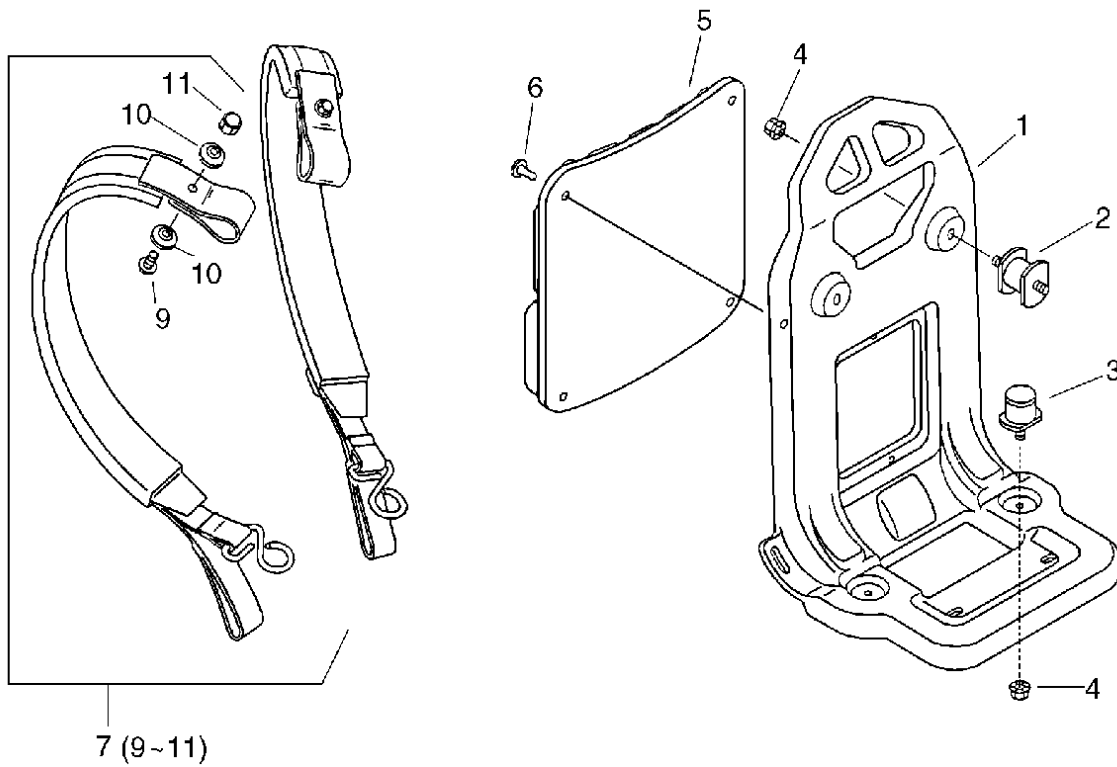


NO.	PART NUMBER	QTY.	DESCRIPTION
3	90050100010	1	NUT 10*1.25
4	90060500010	1	WASHER, SPRING 10
5	90060200010	1	WASHER 10(10.5*21*2)
6	20000506210	1	FAN
7	90014805035	4	BOLT 5*35
8	15680006161	1	ROTOR, MAGNETO
9	90023805018	2	SCREW 5*18
10	15660106211	1	C.D. IGNITION MODULE
12	15661104260	1	TUBE
13	15901210230	1	CAP, SPARK PLUG
14	15901605330	1	ADAPTER, PLUG CAP
15	15901010230	1	PLUG, SPARK (BPMR7A
20	17720206210	1	PAWL ASSY, STARTER
21	90070000004	1	+ERING 4
23	17723440630	1	+SPRING, RETURN
24	17721840630	1	+PAWL, STARTER
26	17720006210	1	STARTER ASSY
27	17723640630	1	+SCREW
28	17721440630	1	+WASHER
29	17721511120	1	+DRUM, STARTER
30	17722611120	1	+ROPE, STARTER
31	17722742030	1	+GUIDE, ROPE
32	17722811120	1	+GRIP, STARTER
33	17722011120	1	+REWIND SPRING
35	90029204018	4	SCREW 4*18
36	X502000410	1	LABEL,ECHO
37	30002906210	1	PLATE, ANGLE
38	30511703360	1	CUSHION
41	14551006211	1	GASKET, MUFFLER
42	P021008630	1	MUFFLER ASY
43	90010506020	2	BOLT, H.S. 6*20
44	90024205014	1	SCREW 5*14

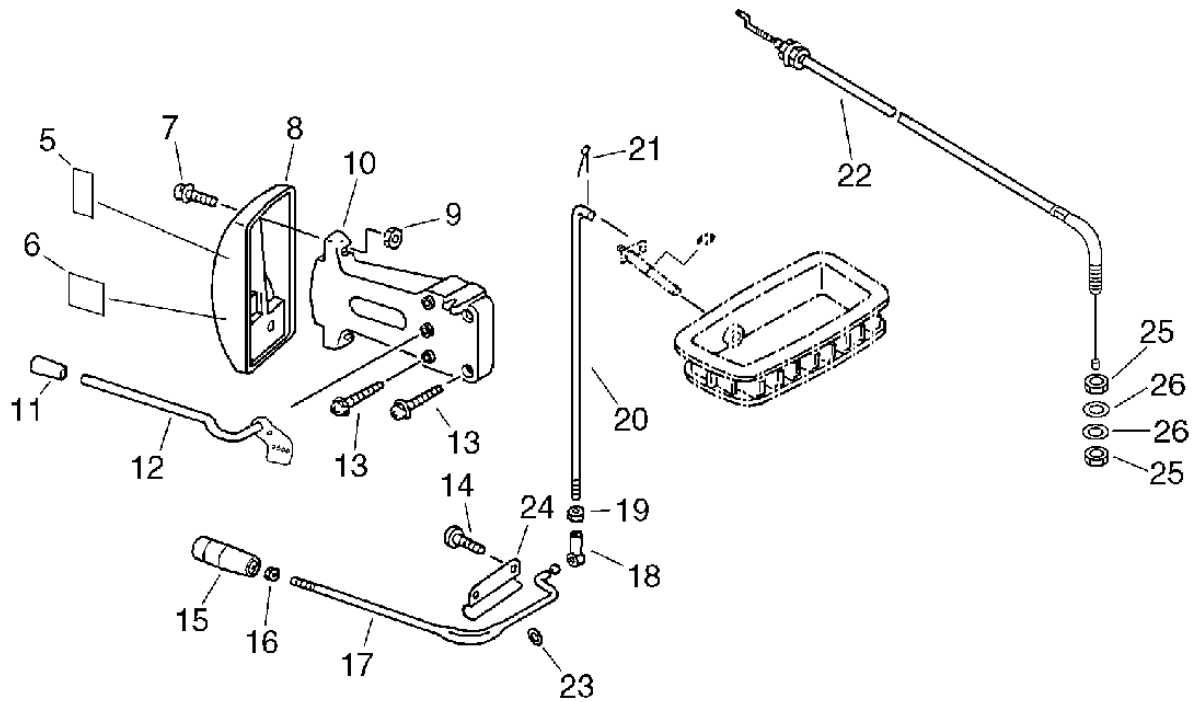




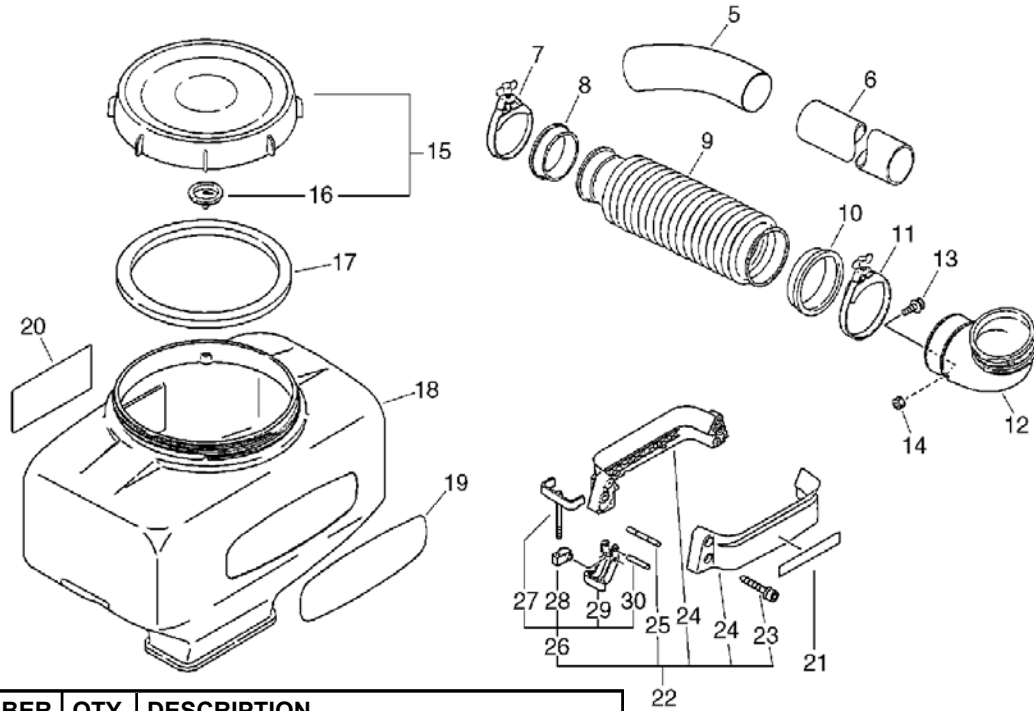
NO.	PART NUMBER	QTY.	DESCRIPTION
4	90028605025	11	SCREW 5*25 SUS
5	20010707712	1	CASE, FAN
6	21042504110	2	BOLT
7	90060900005	2	WASHER, SPRING 5 SUS
8	90060400005	2	WASHER 5 SUS
9	27001006211	1	TANK, LOWER
10	27001806210	1	PACKING
11	37032106210	1	PLATE
12	37031606210	1	GUIDE, AIR
13	37030106211	1	PIPE, DUST OUTLET
14	90050400005	2	NUT 5B
15	20010507711	1	CASE, FAN
16	70103306211	1	PIN, STRAIGHT 10
17	90070300008	1	+ERING 8 SUS



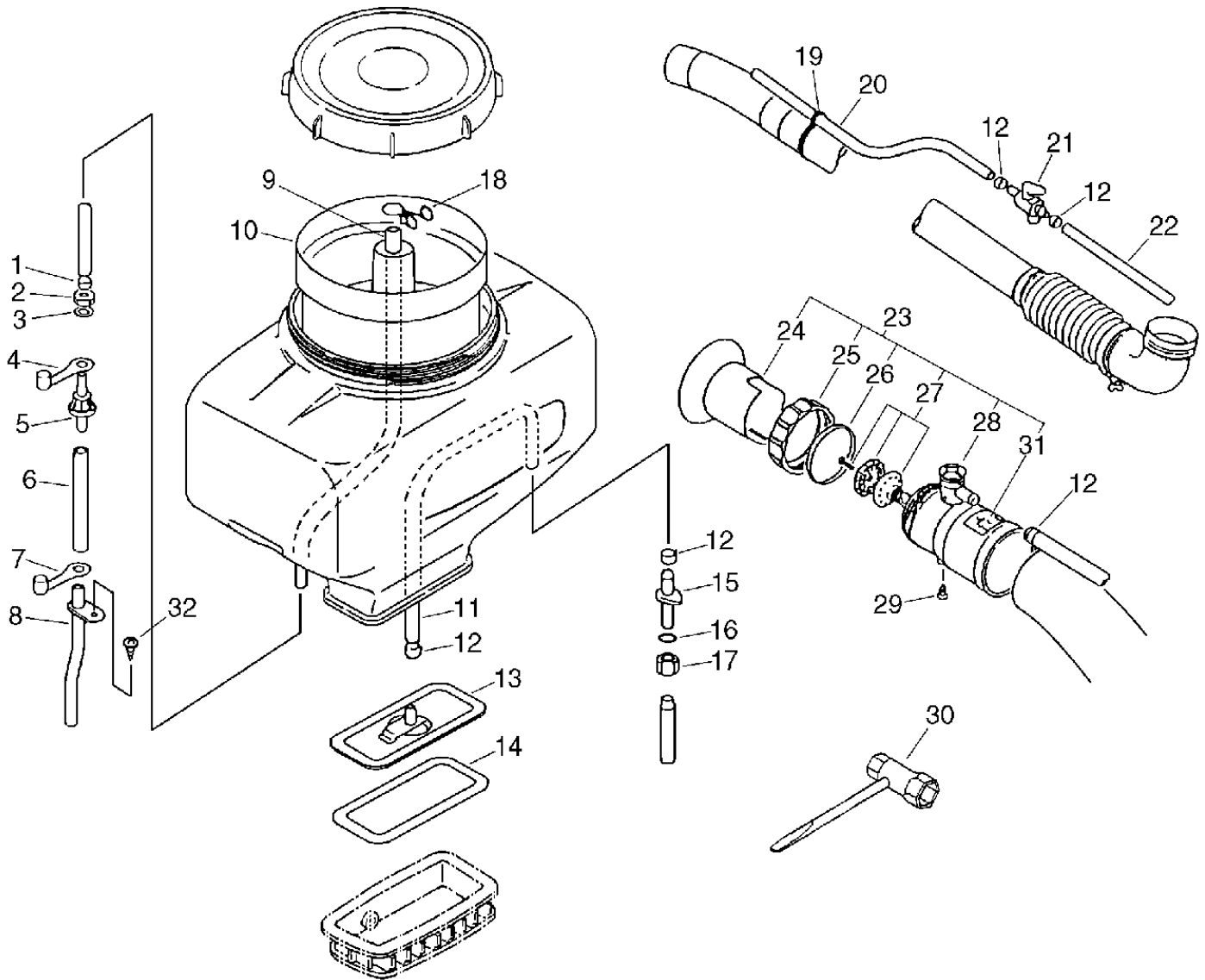
NO.	PART NUMBER	QTY.	DESCRIPTION
1	30001007311	1	FRAME, BACKPACK
2	20091006210	2	CUSHION
3	20091603210	2	CUSHION
4	25091606210	4	NUT
5	30011114010	1	CUSHION, KNAPSACK
6	30033306160	4	CLIP
7	30030207410	1	HARNESS, W/PAD
9	90021605016	2	+SCREW, 5*16
10	30032803210	4	+WASHER, HARNESS
11	90056000005	2	+NUT, LOCK 5



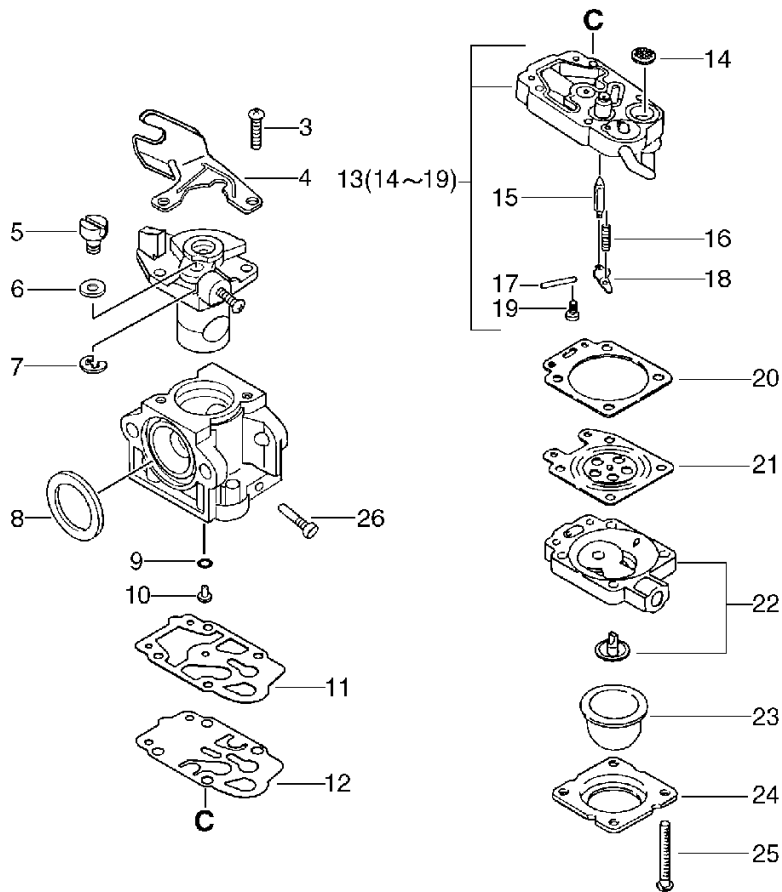
NO.	PART NUMBER	QTY.	DESCRIPTION
5	89034805060	1	LABEL, SPEED
6	89015739130	1	LABEL, SWITCH
7	90029205025	2	SCREW 5*25
8	70111106213	1	DIAL
9	90050400005	2	NUT 5B
10	70111206412	1	BRACKET, DIAL
11	70102102910	1	KNOB, LEVER
12	C453000130	1	LEVER, THROTTLE
13	90028605025	4	SCREW 5*25 SUS
14	90029205014	2	SCREW 5*14
15	70100706610	1	KNOB, LEVER
16	90050200006	1	NUT 6 (3N)
17	70101006610	1	LEVER, CONTROL
18	70102005510	1	CONNECTOR
19	90050000005	1	NUT 5
20	70101406510	1	ROD, CONTROL LEVER
21	60561206510	1	PIN, SNAP
22	V430001330	1	CABLE, BOWDEN
23	90060000008	1	WASHER 8
24	70102806210	1	HOLDER, STOPPER
25	90050300006	2	NUT (3N 6*0.75)
26	90060000006	2	WASHER 6



NO.	PART NUMBER	QTY.	DESCRIPTION
5	21002300210	1	PIPE, CURVED (GY)
6	21001401610	1	PIPE, STRAIGHT
7	V495001170	1	BAND
8	21003204110	1	PACKING, FLX. PIPE
9	21001304111	1	PIPE, FLEXIBLE
10	21003604110	1	GASKET, FLX. PIPE
11	V495001200	1	BAND
12	21001105510	1	ELBOW, BLOWING
13	90024205014	1	SCREW 5*14
14	90050000005	1	NUT 5
15	25000105610	1	CAP, CHEMICAL TANK
16	25001300310	1	+CAP, INSIDE
17	25001102011	1	PACKING
18	25001708012	1	TANK, CHEMICAL
19	X502000440	1	LABEL,ECHO
20	89016009461	1	LABEL, CAUTION
21	X503008350	1	LABEL,MODEL
22	27000006311	1	ASY, CHEMICAL TANK BRACKET
23	9114805035	4	+BOLT HS FL TAPP
24	25091006310	2	+HOLDER, C. TANK
25	25091406210	2	+PIN, TANK HOLDER
26	25090206310	1	+BRACKET ASSY, C.TANK
27	25091506310	2	++BOLT, TANK HOLDER
28	25093006210	2	++CONNECTOR, BRACKET
29	25093206210	2	++BRACKET, TANK
30	90033370380	2	++PIN, STRAIGHT

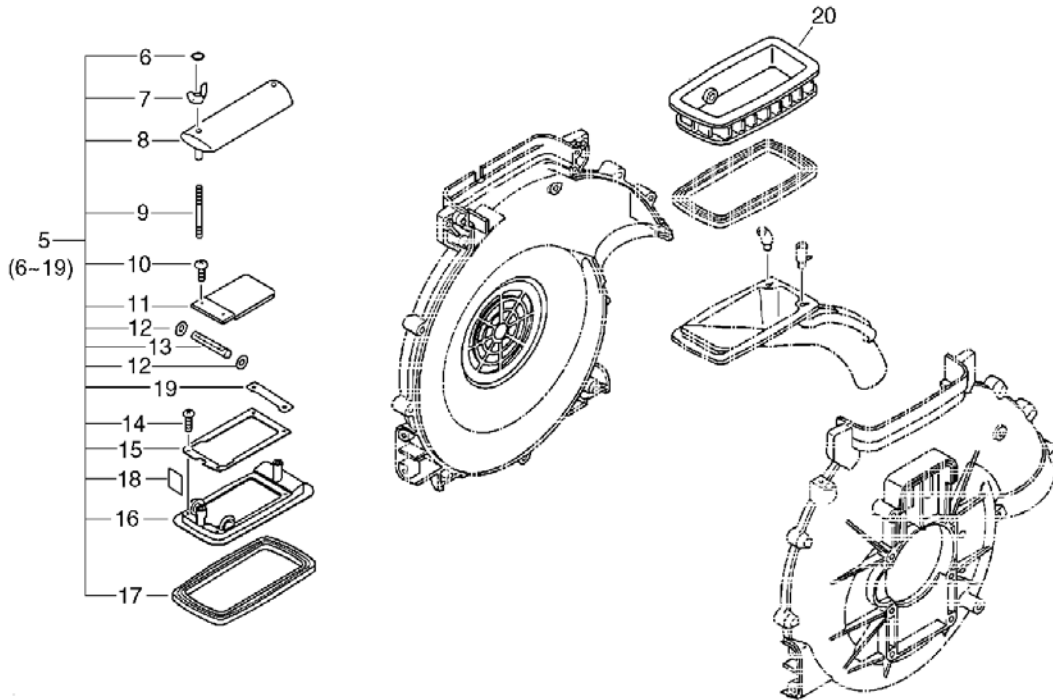


NO.	PART NUMBER	QTY.	DESCRIPTION
1	13201314010	1	BAND
2	36301900310	1	NUT, CONNECTOR
3	36301800310	1	WASHER
4	36302200510	1	PLUG
5	36301700310	1	CONNECTOR, PIPE
6	36301100210	1	PIPE, AIR (OUTER)
7	36302101110	1	PLUG
8	E105000000	1	PIPE,AIR
9	36301403210	1	PIPE (INNER)
10	25421003210	1	FILTER
11	38201101110	1	PIPE (9*13)
12	V495000310	5	BAND
13	25301008010	1	PLATE, TANK BOTTOM
14	27011906210	1	GASKET, SHUTTER
15	35701001110	1	NIPPLE, OUTLET
16	35701401110	1	ORING
17	35701501110	1	NUT, HOLLOW
18	36302301110	1	CLIP
19	35791100111	1	CLIP, PIPE
20	35701102410	1	PIPE (L650)
21	35810001111	1	COCK,LIQUID
22	35703201110	1	PIPE (L720)
23	21250001111	1	NOZZLE ASS'Y, MISTBL
24	21251501110	1	+COLLAR, NOZZLE
25	21251401110	1	+NUT, MISTING NOZZLE
26	21251301110	1	+RING, MISTING NOZZLE
27	22200001110	1	+NOZZLE
28	21250101111	1	+HEAD, NOZZLE BL
29	90024605012	1	++SCREW 5*12
31	89003101110	1	+LABEL, MIST
30	X602000020	1	TOOL,WRENCH
32	90028605016	1	SCREW 5*16 SUS

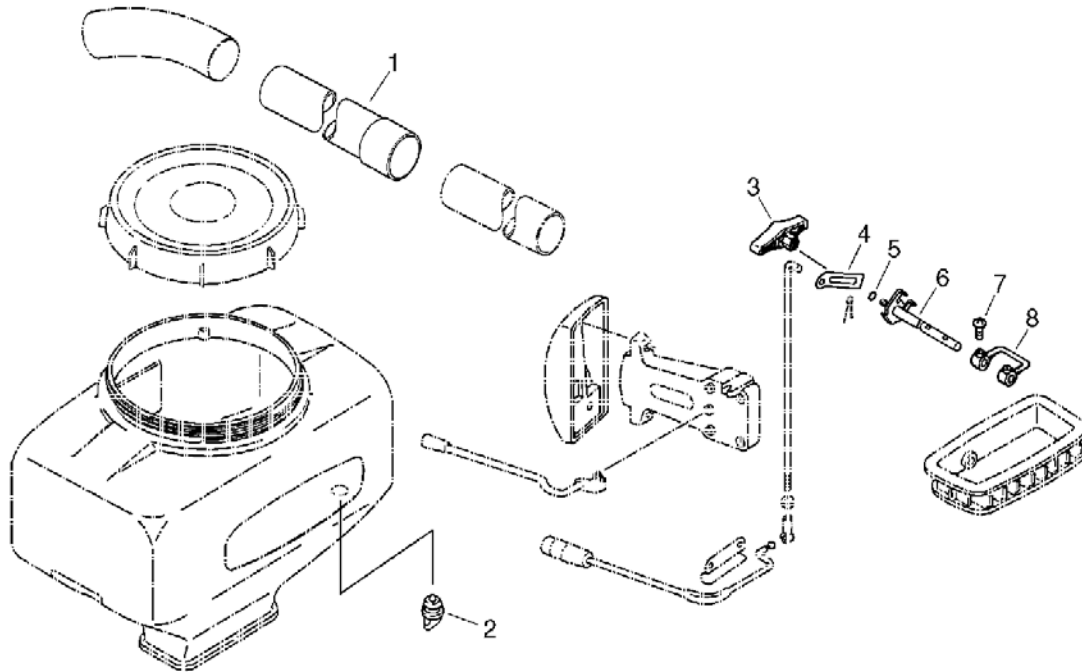


NO.	PART NUMBER	QTY.	DESCRIPTION
	A021001040	1	<b>CARBURETOR, DIAPHRAGM</b>
3	12311440630	2	+SCREW
4	P003000180	1	+BRACKET CABLE
5	12317245130	1	+SWIVEL
6	12314954230	1	+WASHER
7	12317307930	1	+CLIP
8	12314312110	1	+RING, PACKING
9	12318340630	1	+ORING
10	P003000990	1	+JET
11	12312540630	1	+GASKET, PUMP
12	12311240630	1	+DIAPHRAGM, PUMP
13	12317905560	1	+BODY ASSY, PUMP
14	12312610631	1	++SCREEN, INLET
15	12313719830	1	++VALVE, INLET NEEDLE
16	12312205560	1	++SPRING, METER. LEVER
17	12313803930	1	++PIN, METERING LEVER
18	12312303930	1	++LEVER, METERING
19	12313905560	1	++SCREW, M. LEVER PIN
20	12314005560	1	+GASKET, M. DIAPHRAGM
21	P003000090	1	+METERING, DIAPHRAGM
22	12318005560	1	+BODY, AIR PURGE
23	12318140630	1	+PUMP, PRIMER
24	12314205560	1	+COVER, PRIMER PUMP
25	12311005560	4	+SCREW, PUMP COVER
26	P003001130	1	+NEEDLE, HIGH SPEED





NO.	PART NUMBER	QTY.	DESCRIPTION
5	27510006212	1	SHUTTER ASSY
6	90072000004	1	+ORING (P4)
7	90053900005	1	+NUT, WING 5
8	25011006212	1	+STABILIZER
9	27001506211	1	+BOLT, STUD
10	90022604010	2	+SCREW, 4*10
11	27014506210	1	+SHUTTER
12	27512305510	2	+SPACER 10*19.5*0.3
13	27015306210	1	+SHAFT, SHUTTER
14	90029504014	4	+SCREW 4*14
15	27011006210	1	+SHUTTER
16	27011206211	1	+SHUTTER, METERING
17	27011906210	1	+GASKET, SHUTTER
18	21003506310	1	+PACKING, DUST
19	27012206211	1	+PLATE, EYE
20	27001006211	1	TANK, LOWER



NO.	PART NUMBER	QTY.	DESCRIPTION
1	21001501110	1	PIPE, STRAIGHT (GY)
2	25001601110	1	PLUG
3	27020704310	1	NUT (BS)
4	27021206410	1	ARM, SHUTTER
5	90072000007	1	ORING 7
6	27020506411	1	SHAFT, SHUTTER
7	90029204014	2	SCREW 4*14
8	27021606210	1	ARM