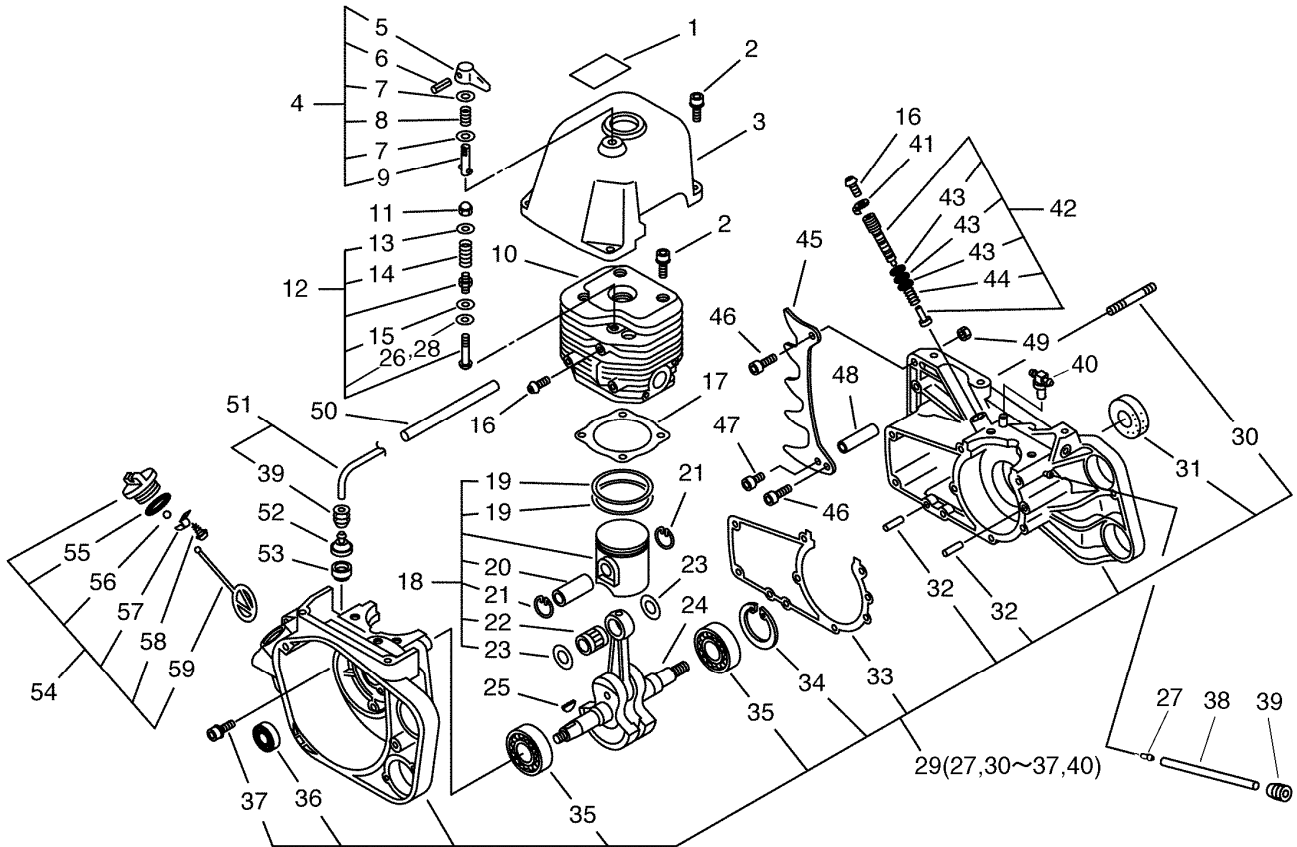




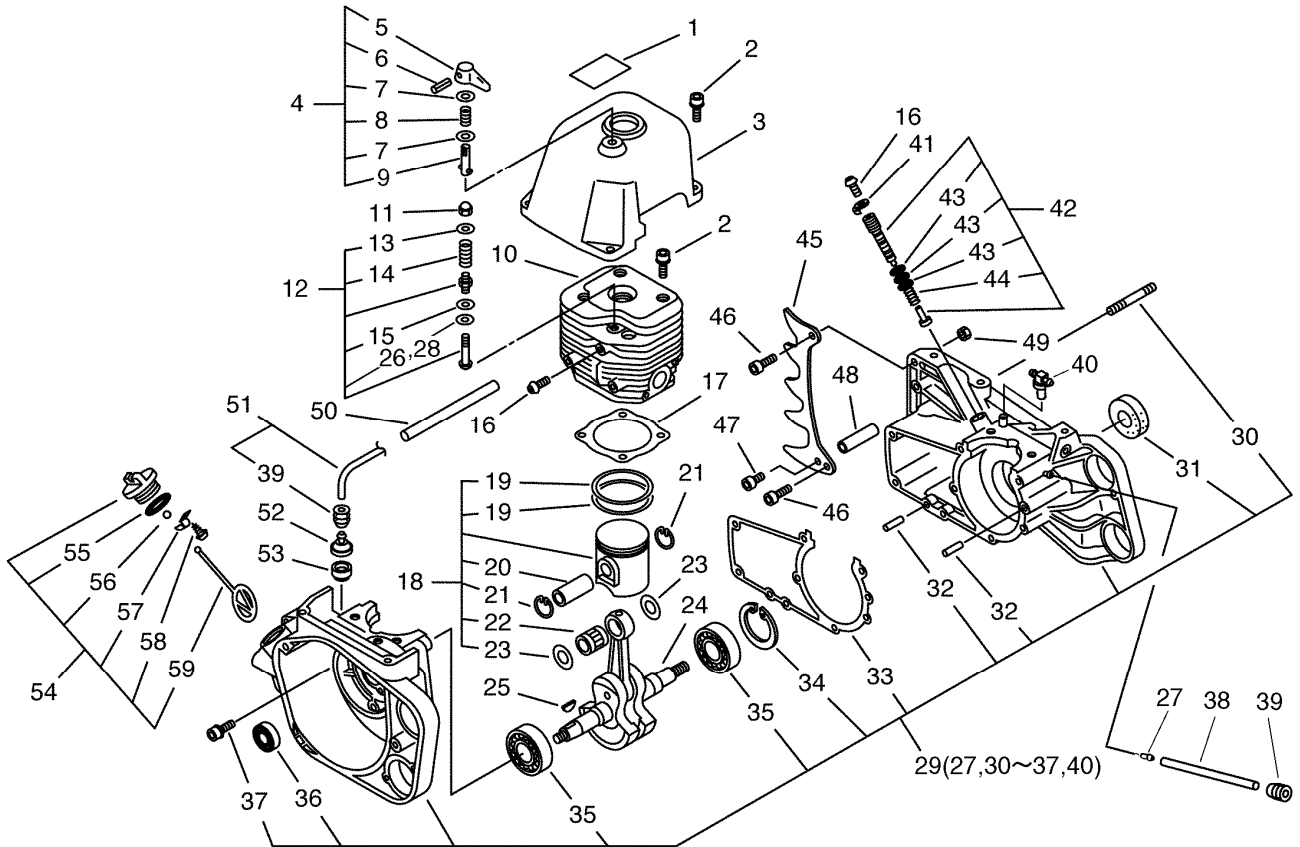
PARTS CATALOG

CHAIN SAW

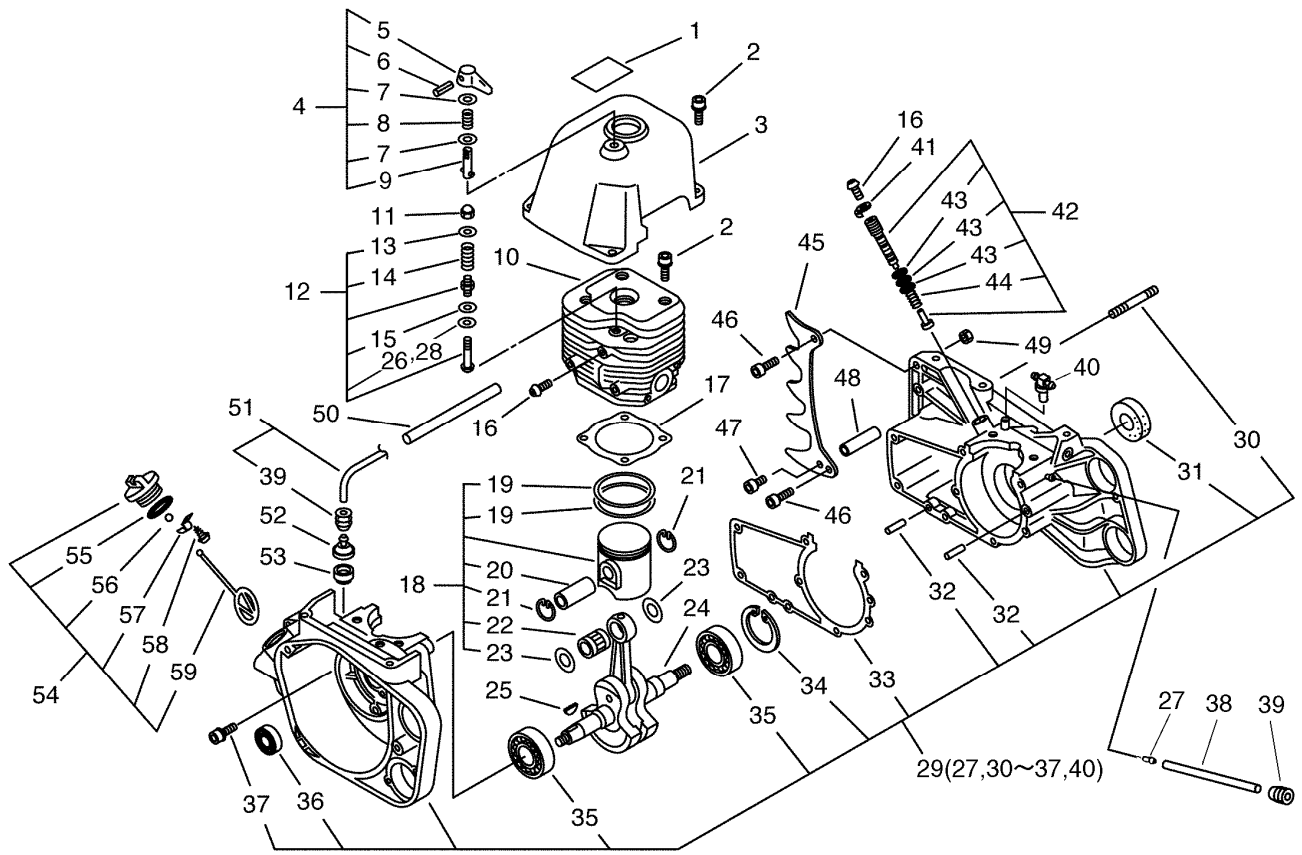
CS-1201



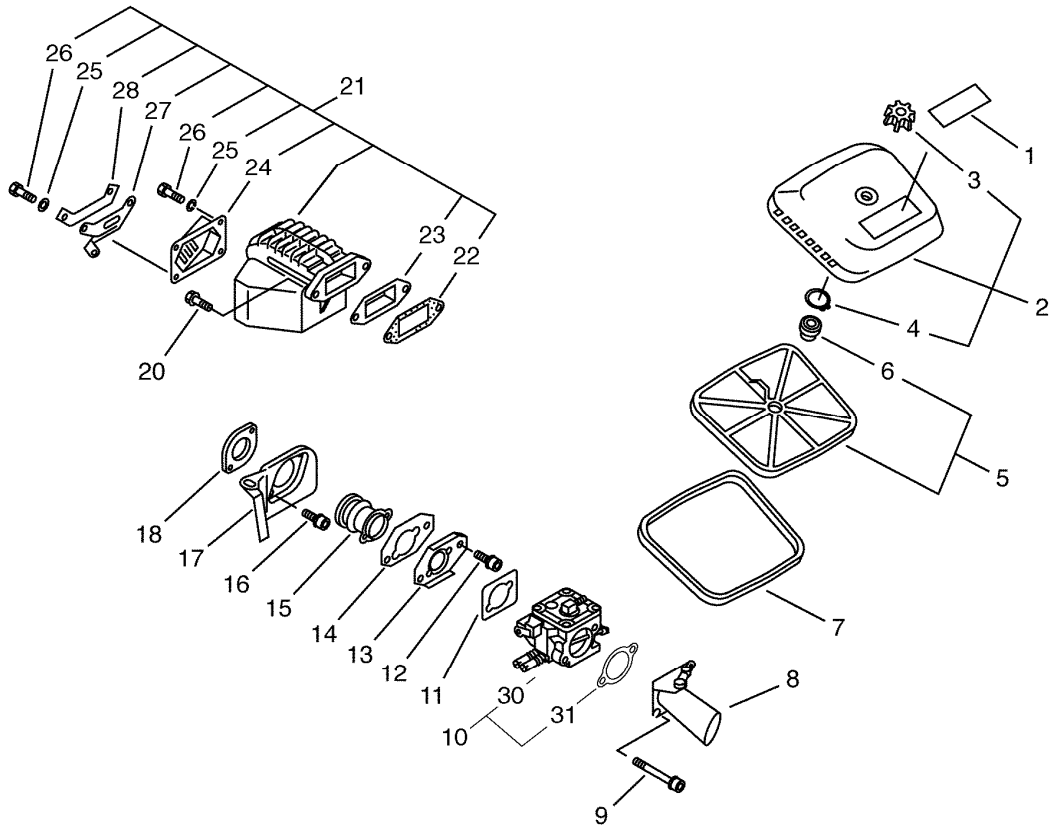
KEY	LV	PART NUMBER	Q'TY	DESCRIPTION	REMARKS
1		890149-16430	1	LABEL, COMP. RELEASE	
2		900162-06025	7	BOLT, H.S. 6*25	
3		101514-16432	1	COVER, CYLINDER	
4		179805-32930	1	LEVER, COMP. RELEASE	
5	+	179815-16432	1	BUTTON, C, RELEASE	
6	+	900345-20014	1	PIN, SPRING 2*14	
7	+	900600-00005	2	WASHER 5	
8	+	179812-16431	1	SPRING	
9	+	179806-16431	1	SHAFT, COMP. RELEASE	
10		101011-60730	1	CYLINDER	
11		400912-00910	1	NUT, CAP 4	
12		101100-16430	1	RELEASE ASSY, COMP.	
13	+	101114-02831	1	WASHER, COMP.R.VALVE	
14	+	101113-02830	1	SPRING, COMP.R.VALVE	
15	+	101112-12430	1	GASKET, V.SEAT 2.0	
26	+	101112-32930	1	GASKET, V.SEAT 1.0	
28	+	101112-02830	1	GASKET, V.SEAT (1.5)	
16		900220-05010	2	SCREW 5*10	
17		101010-16431	1	GASKET, CYL. BASE	
18		100000-60730	1	PISTON KIT	
19	+	100011-16431	2	RING, PISTON	
20	+	100013-16430	1	PIN, PISTON	
21	+	100015-16430	2	CIRCLIP, PISTON PIN	
22	+	100012-16430	1	BEARING, NEEDLE	
23	+	100014-60730	2	SPACER, PISTON PIN	
24		100100-60731	1	CRANKSHAFT	



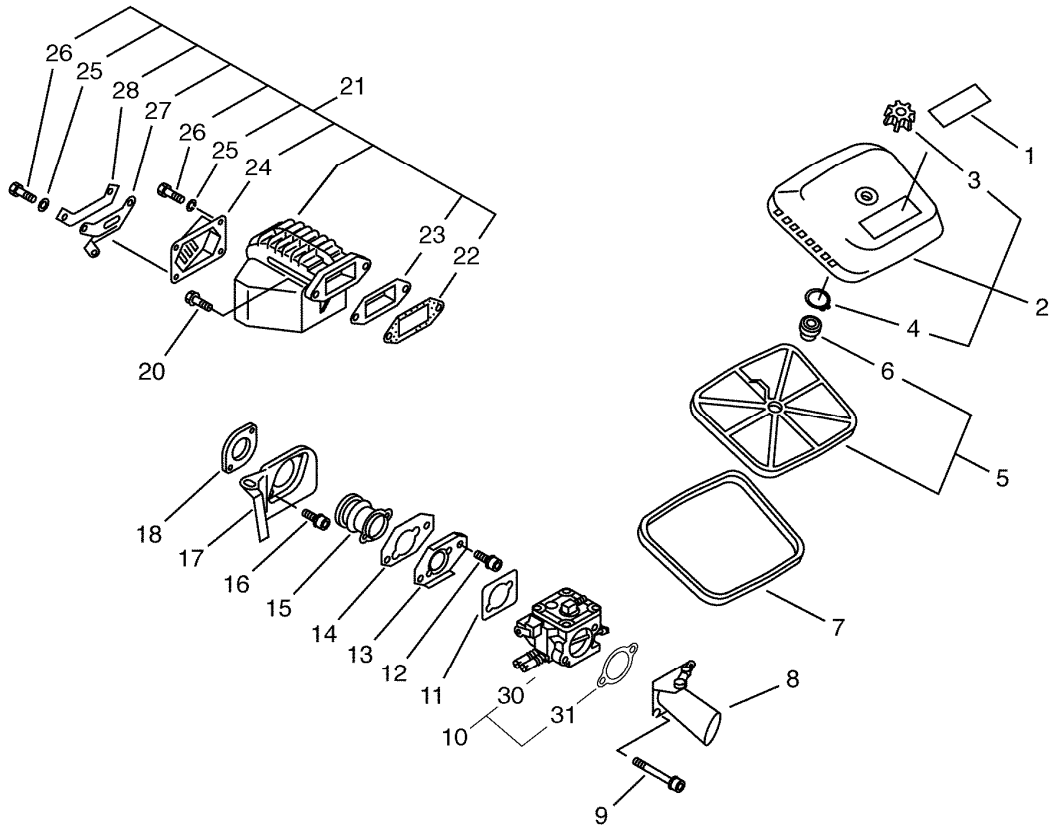
KEY	LV	PART NUMBER	Q'TY	DESCRIPTION	REMARKS
25		100142-12330	1	KEY, WOODRUFF	
29		100204-16430	1	CRANKCASE KIT	
27	+	130113-12330	2	CONNECTER	
30	+	433011-16430	2	STUD, GUIDE BAR	
31	+	100212-16431	1	OILSEAL	
32	+	100215-02830	2	PIN, DOWEL	
33	+	100242-16430	1	GASKET, CRANKCASE	
34	+	900702-00047	1	CIRCLIP 47	
35	+	900810-06204	2	BEARING, BALL 6204	
36	+	100213-16430	1	OILSEAL	
37	+	900162-06030	8	BOLT, H.S. 6*30	
40	+	437201-14730	1	CONNECTOR KIT	
38		130110-16430	1	PIPE, IMPULSE	
41		437059-11133	1	LOCKWASHER	
42		437000-16430	1	AUTO-OILER ASS'Y	
43	+	437020-02830	3	O-RING (S-5)	
44	+	437019-02830	1	SPRING, OILER	
45		880210-16431	1	BUMPER, SPIKED	
46		900105-06020	2	BOLT, H.S. 6*20	
47		900162-05014	1	BOLT, H.S. 5*14	
48		433026-16430	1	CATCHER, CHAIN	
49		145713-00630	2	LOCKNUT 6	
50		437412-16430	1	TUBE, PROTECTOR	
51		437205-16430	1	PIPE	
39	+	132115-12330	1	GROMMET	
52		436205-14730	1	STRAINER, OIL	



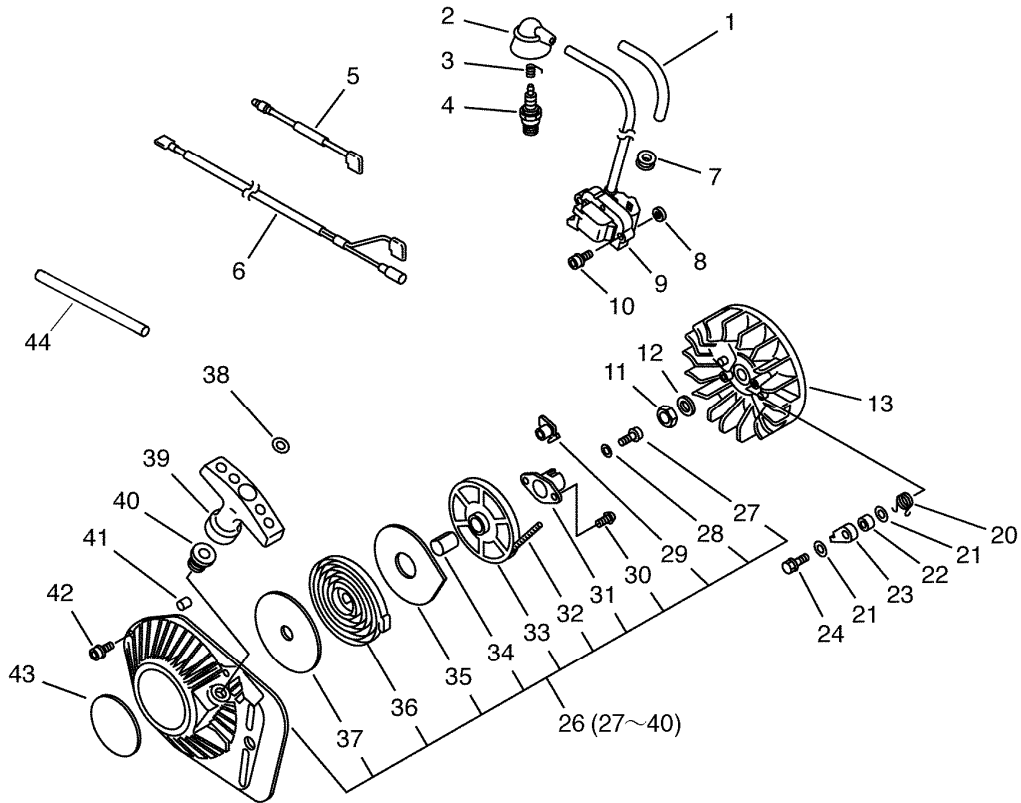
KEY	LV	PART NUMBER	Q'TY	DESCRIPTION	REMARKS
		53	1	COVER, OIL STRAINER	
		54	1	CAP ASSY, OIL TANK	
	+	900720-00025	1	O-RING 25	
	+	436024-02830	1	VALVE, BALL	
	+	131050-19830	1	RETAINER, LINK	
	+	900246-03008	1	SCREW 3*8	
	+	131051-19830	1	LINK	



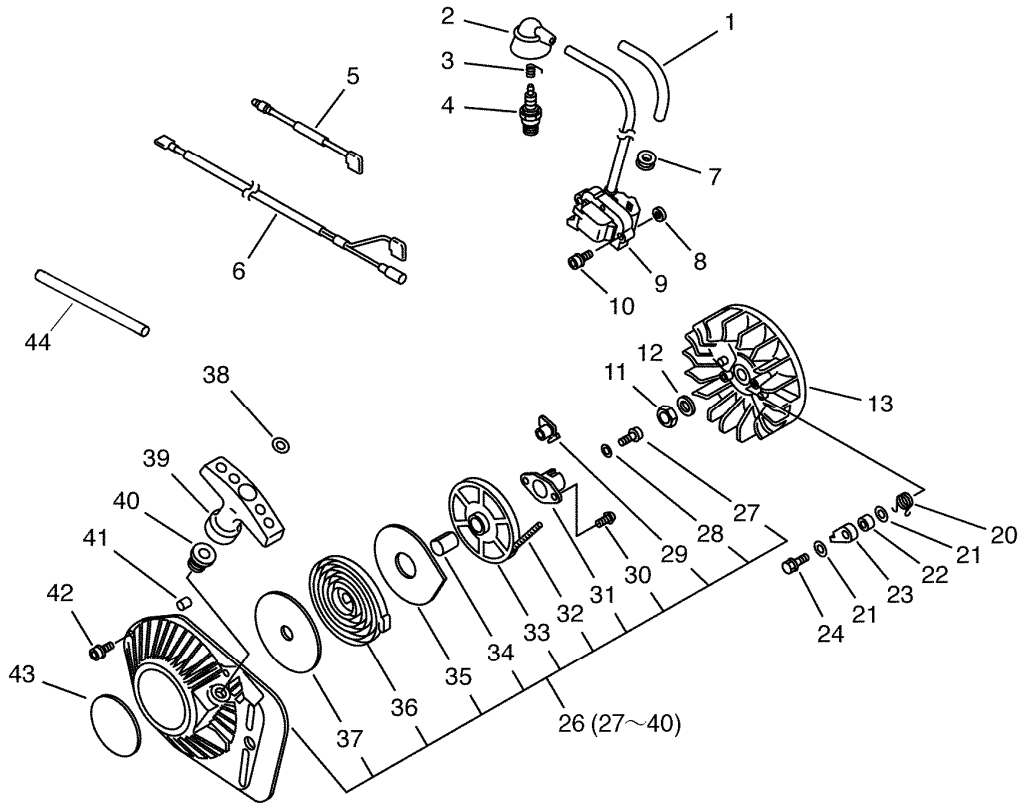
KEY	LV	PART NUMBER	Q'TY	DESCRIPTION	REMARKS
1		890151-60730	1	LABEL, MODEL	
2		130302-16430	1	COVER ASSY, AIR CLN	
3	+	130406-00330	1	NUT, THUMB	
4	+	900701-00011	1	CIRCLIP 11	
5		130305-16430	1	FILTER, AIR	
6	+	130312-16430	1	GASKET, AIR CLEANER	
7		130331-16430	1	SEAL, AIR CLEANER	
8		130714-16430	1	ADAPTER, INTAKE	
9		900162-05050	2	BOLT, H.S. 5*50	
10		P021-010271	1	CARBURETOR KIT	
30	+	A021-001261	1	CARBURETOR,DIAPHRAGM	
31	+	V103-000330	1	GASKET,INTAKE	
11		130037-16430	1	SPACER	
12		900162-05014	2	BOLT, H.S. 5*14	
13		130013-16431	1	ADAPTER, CARBURETOR	
14		130012-32930	1	SEAL, DUST	
15		130510-16431	1	BELLOWS, INTAKE	
16		900162-05020	2	BOLT, H.S. 5*20	
17		130011-16430	1	PLATE, WIND PROOF	
18		130512-14731	1	HOLDER	
20		900106-06025	2	BOLT, H.S. 6*25	
21		145600-16430	1	MUFFLER ASSY	
22	+	145510-16431	1	GASKET, EXHAUST	
23	+	145633-16430	1	DIFFUSER, EXH. PORT	
24	+	145818-14730	1	PLATE, EXHAUST	
25	+	178516-00830	4	SPACER	



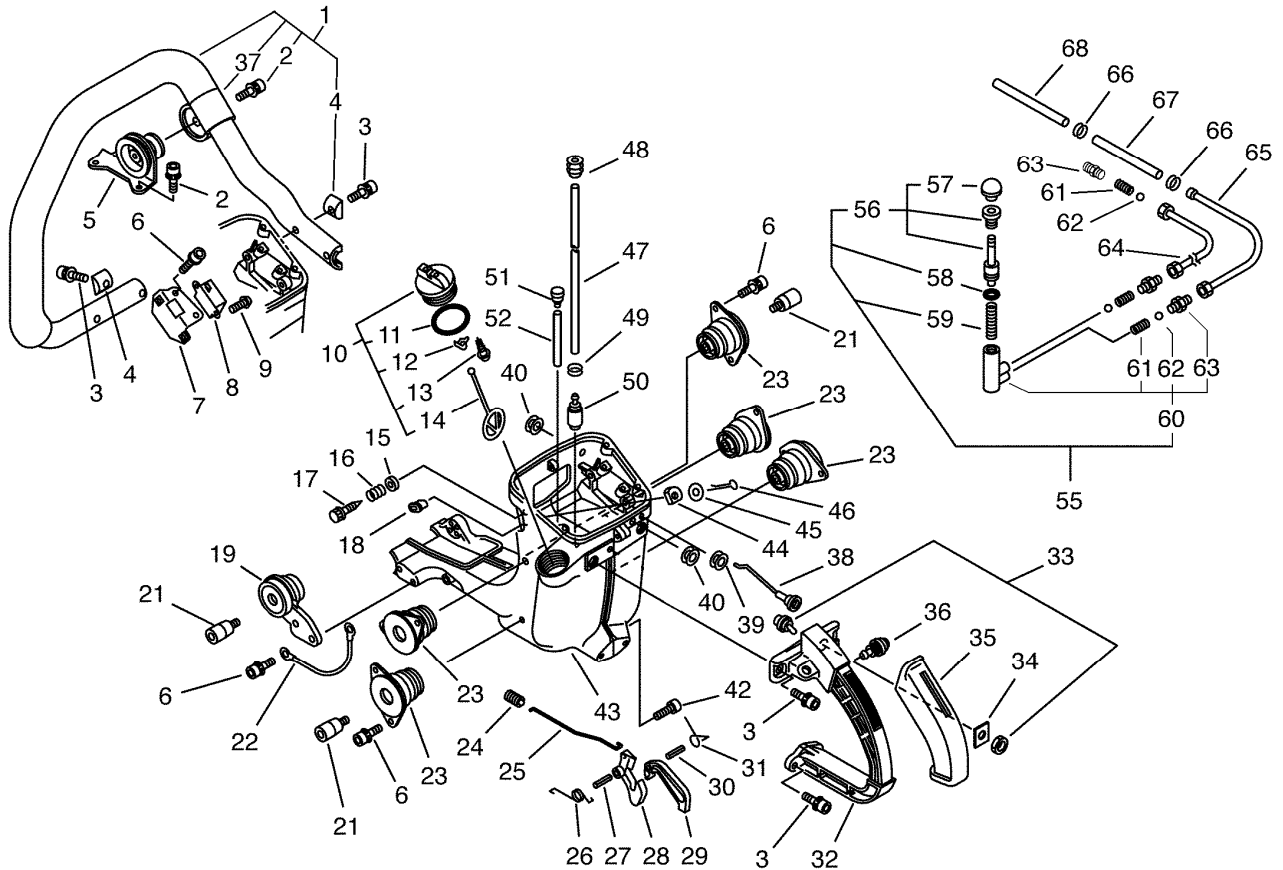
KEY	LV	PART NUMBER	Q'TY	DESCRIPTION	REMARKS
26	+	900150-05015	4	BOLT 5*15	
27	+	145720-16431	1	BRACKET	
28	+	145642-16431	2	WASHER	



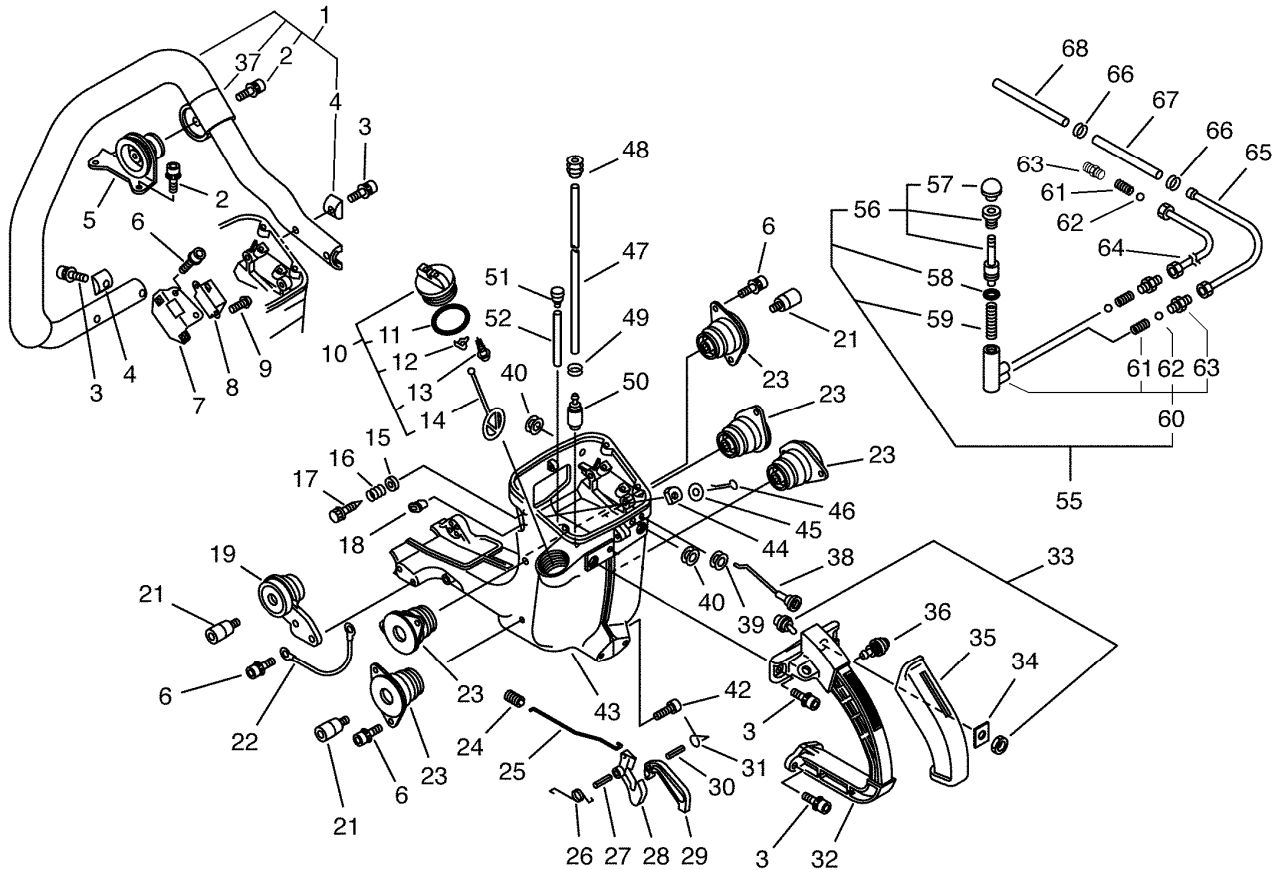
KEY	LV	PART NUMBER	Q'TY	DESCRIPTION	REMARKS
1		437412-16430	1	TUBE, PROTECTOR	
2		159012-16430	1	CAP, SPARK PLUG	
3		159011-03432	1	COIL, SPARK PLUG	
4		159010-10630	1	PLUG, SPARK (BPM-7A)	
5		162021-60730	1	LEAD	
6		162010-60730	1	LEAD, GROUND	
7		150112-00310	1	BUSHING	
8		150117-16430	2	SPACER	
9		152626-60730	1	COIL, IGNITION	
10		900162-05025	2	BOLT, H.S. 5*25	
11		100144-12331	1	NUT	
12		100146-00310	1	WASHER (C-R)	
13		152800-60730	1	ROTOR, MAGNETO	
20		177234-14730	2	SPRING, RETURN	
21		900600-00006	4	WASHER 6	
22		177247-02830	2	SPACER, RATCHET	
23		177218-02830	2	RATCHET	
24		900100-06016	2	BOLT 6*16	
26		177200-16432	1	STARTER ASY	
27	+	900162-05014	1	BOLT, H.S. 5*14	
28	+	300217-00610	1	WASHER	
29	+	177246-10631	1	CLIP, STARTER ROPE	
30	+	900242-04012	2	SCREW 4*12	
31	+	177243-02833	1	CATCHER, PAWL	
32	+	177226-14730	1	ROPE, STARTER	
33	+	177215-10632	1	DRUM, STARTER	



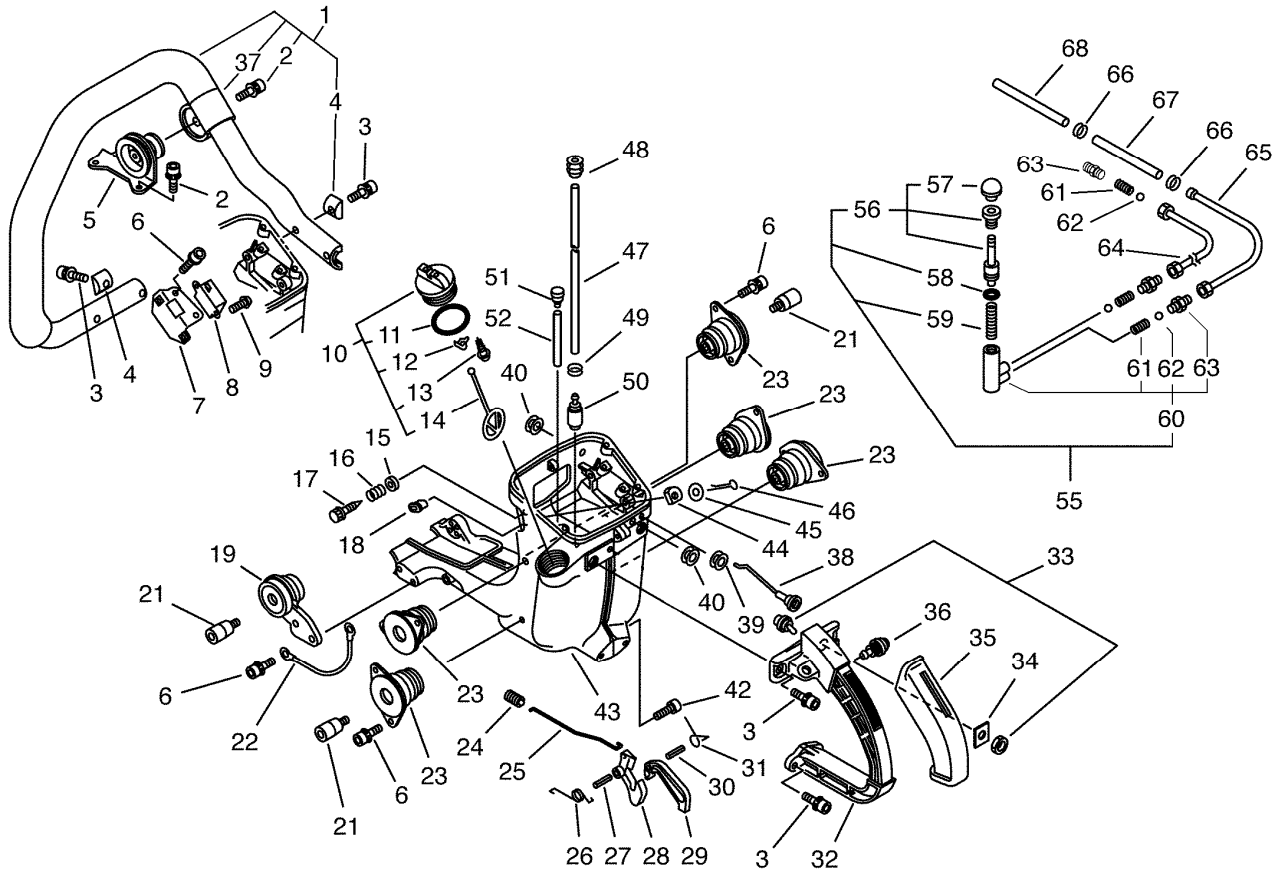
KEY	LV	PART NUMBER	Q'TY	DESCRIPTION	REMARKS
34	+	177216-10630	1	COLLAR	
35	+	177242-14730	1	PLATE, STARTER	
36	+	177220-10631	1	SPRING, REWIND	
37	+	177221-10630	1	PLATE, STARTER	
38	+	V323-000060	1	WASHER,CIRCULAR 5	
39	+	177228-16430	1	GRIP, STARTER	
40	+	177227-10630	1	GUIDE, ROPE	
41		101522-16430	2	PIN, DOWEL	
42		900162-06025	3	BOLT, H.S. 6*25	
43		X502-000460	1	LABEL,ECHO	
44		150611-14730	1	TUBE	



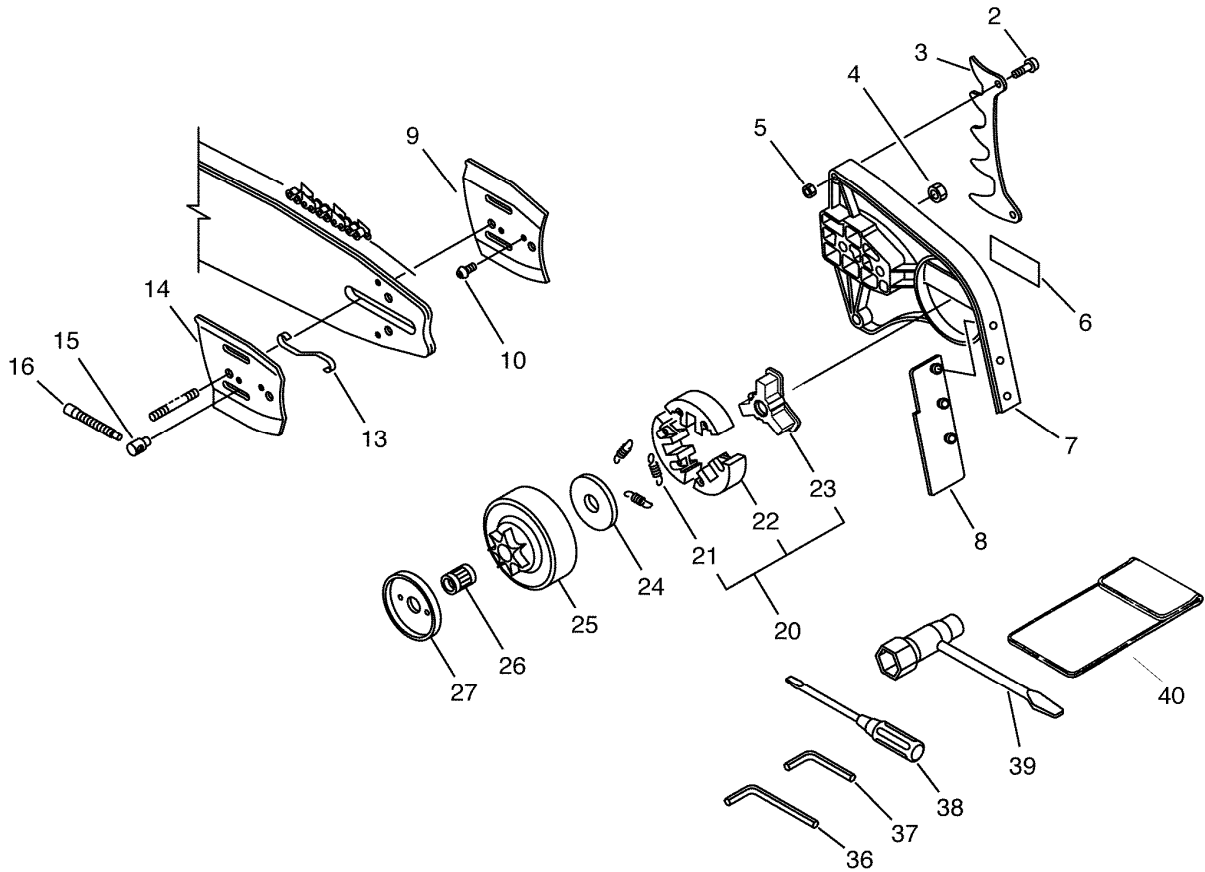
KEY	LV	PART NUMBER	Q'TY	DESCRIPTION	REMARKS
1		351604-05262	1	HANDLE KIT, FRONT	
37	+	351613-05260	1	SUPPORTER, F.HANDLE	
2	+	900162-06020	1	BOLT, H.S. 6*20	
4	+	351611-16430	4	WASHER	
2		900162-06020	3	BOLT, H.S. 6*20	
3		900162-06025	8	BOLT, H.S. 6*25	
5		351618-16431	1	CUSHION (L-U)	
6		900162-05014	14	BOLT, H.S. 5*14	
7		152615-60730	1	BRACKET, MODULE	
8		152605-60730	1	MODULE, E.S.G.	
9		900242-05010	2	SCREW 5*10	
10		131004-60730	1	CAP ASSY, FUEL TANK	
11	+	900720-00032	1	O-RING 32	
12	+	131050-19830	1	RETAINER, LINK	
13	+	900246-03008	1	SCREW 3*8	
14	+	131051-19830	1	LINK	
15		900600-00004	1	WASHER 4	
16		129020-14730	1	SPRING	
17		129013-14730	1	SCREW, IDLE ADJUST.	
18		129010-14730	1	GROMMET	
19		100917-16430	1	CUSHION	
21		100915-16430	6	FASTENER, CUSHION	
22		162010-14732	1	LEAD, GROUND	
23		100910-16431	5	CUSHION	
24		178211-05260	1	GROMMET	
25		178011-16430	1	ROD, THROTTLE	



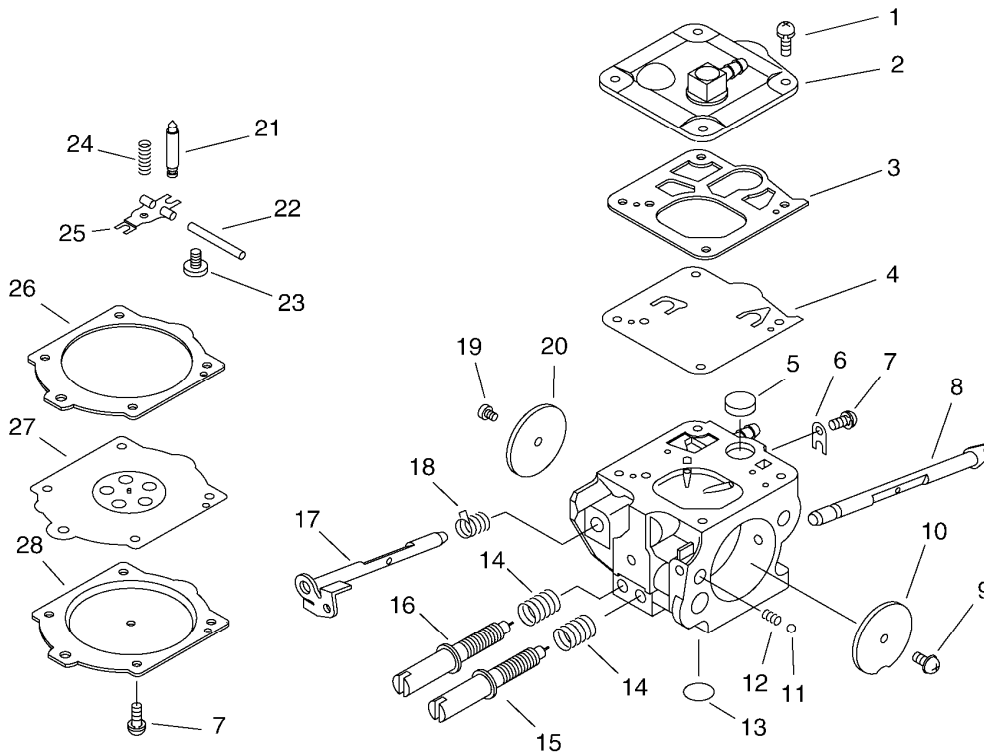
KEY	LV	PART NUMBER	Q'TY	DESCRIPTION	REMARKS
26		178043-16430	1	SPRING, THR. RETURN	
27		900342-50025	1	PIN, SPRING 5*25	
28		178010-05260	1	CONTROL, THROTTLE	
29		178090-16430	1	LOOKOUT, T. CONTROL	
30		900342-40018	1	PIN, SPRING 4*18	
31		178091-16430	1	SPRING	
32		351110-16431	1	HANDLE	
33		163400-19831	1	SWITCH, IGNITION	
34		890157-16430	1	LABEL, SWITCH	
35		351111-16431	1	GRIP	
36		178302-12330	1	LATCH, THROTTLE	
38		178510-16430	1	ROD, CHOKE CONTROL	
39		178810-02830	1	GROMMET	
40		156114-06330	2	BUSHING	
43		131002-60732	1	TANK SET, FUEL	
42	+	900105-05014	4	BOLT, H.S. 5*14	
44		131410-00330	1	PACKING, FELT	
45		900600-00002	1	WASHER 2	
46		900300-20015	1	PIN, SPLIT 2*15	
47		132010-05260	1	PIPE 3* 6*360	
48		132115-12330	2	GROMMET	
49		132013-26630	1	CLIP	
50		131205-19831	1	STRAINER, FUEL	
51		131300-16430	1	VENT ASS'Y, FUEL	
52		V471-003440	1	PIPE	
55		437100-16430	1	PUMP ASS'Y, OIL	



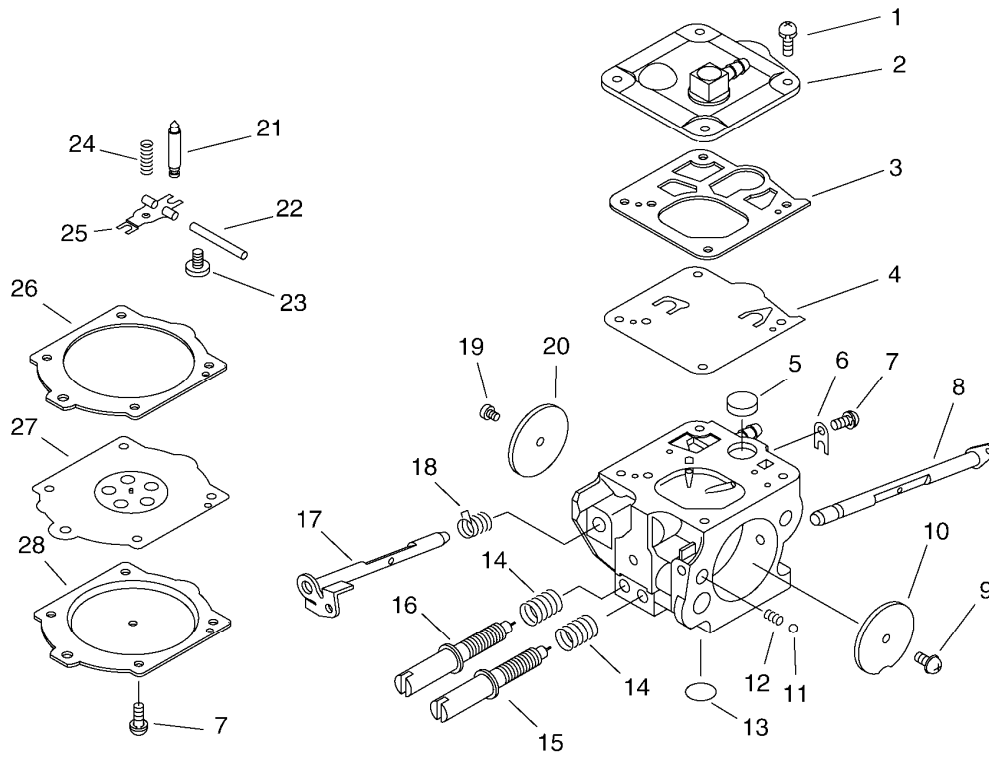
KEY	LV	PART NUMBER	Q'TY	DESCRIPTION	REMARKS
56	+	437101-14730	1	PISTON, OIL PUMP	
57	++	437119-14731	1	BUTTON, PUSH	
58	+	900720-00006	1	O-RING 6	
59	+	437111-00231	1	SPRING, OIL PUMP	
60	+	437102-16430	1	BODY ASS'Y, OIL PUMP	
61	++	437013-00330	3	SPRING, VALVE	
62	++	437012-00330	3	VALVE, BALL	
63	++	437052-00330	3	CONNECTOR	
64		437206-16430	1	PIPE	
65		437207-32930	1	PIPE	
66		437221-16430	2	CLIP	
67		437211-16431	1	PIPE	
68		437412-16430	1	TUBE, PROTECTOR	



KEY	LV	PART NUMBER	Q'TY	DESCRIPTION	REMARKS
2		900105-06020	2	BOLT, H.S. 6*20	
3		880210-16431	1	BUMPER, SPIKED	
4		433019-10630	2	NUT	
5		145713-00630	2	LOCKNUT 6	
6		X502-000540	1	LABEL,ECHO	
7		433021-16430	1	GUARD, SPROCKET	
8		433025-16430	1	PAD	
9		433012-16430	1	PLATE, GUIDE (OUTER)	
10		900220-03006	2	SCREW 3*6	
13		433035-16430	1	HOLDER, PLATE	
14		433013-16430	1	PLATE, GUIDE (INNER)	
15		433014-16430	1	TENSIONER	
16		433016-16430	1	SCREW, TENSIONER	
20		A056-000170	1	CLUTCH ASY	
21	+	175018-60730	3	SPRING, CLUTCH	
22	+	P021-010080	1	CLUTCH SHOE SET	
23	+	175016-60730	1	HUB, CLUTCH	
24		175019-60130	1	PLATE, CLUTCH	
25		175006-60730	1	DRUM, CLUTCH (.404)	
26		175012-60730	1	BEARING, NEEDLE	
27		175015-60730	1	WASHER	
36		X605-000070	1	HEXA WRENCH 6MM	
37		X605-000100	1	TOOL,L WRENCH	
38		895811-00130	1	DRIVER, SCREW 125	
39		895410-10630	1	WRENCH, W/S. DRIVER	
40		X698-000050	1	TOOL,CASE	



KEY	LV	PART NUMBER	Q'TY	DESCRIPTION	REMARKS
		A021-001261	1	CARBURETOR,DIAPHRAGM	
1	+	123110-10630	4	SCREW, PUMP COVER	
2	+	P003-001530	1	COVER, FUEL PUMP	
3	+	123125-05260	1	GASKET, FUEL PUMP	
4	+	123112-05260	1	DIAPHRAGM, FUEL PUMP	
5	+	123126-10631	1	SCREEN, INLET	
6	+	123127-03930	1	CLIP, THROTTLE SHAFT	
7	+	123130-02960	5	SCREW	
8	+	P003-001560	1	SHAFT ASY,CHOKE	
9	+	123114-38830	1	SCREW	
10	+	123132-05260	1	VALVE, CHOKE	
11	+	123136-10631	1	BALL, CHOKE FRICTION	
12	+	123135-10631	1	SPRING, CHOKE FRICT.	
13	+	P003-001570	1	PLUG, WELCH	
14	+	123121-22130	2	SPRING, NEEDLE	
15	+	123120-05260	1	NEEDLE, HIGH SPEED	
16	+	123118-05260	1	NEEDLE, IDLE	
17	+	P003-001540	1	SHAFT ASY,THROTTLE	
18	+	P003-001550	1	SPRING	
19	+	123114-05260	1	SCREW	
20	+	P003-001750	1	VALVE, THROTTLE	
21	+	123137-04260	1	VALVE, INLET NEEDLE	
22	+	123138-10630	1	PIN, METERING LEVER	
23	+	123139-03930	1	SCREW, M. LEVER PIN	
24	+	123122-10630	1	SPRING, METER. LEVER	
25	+	123123-05260	1	LEVER, METERING	



KEY	LV	PART NUMBER	Q'TY	DESCRIPTION	REMARKS
26	+	123140-10630	1	GASKET, M. DIAPHRAGM	
27	+	123141-05260	1	DIAPHRAGM, METERING	
28	+	123142-10630	1	COVER, M. DIAPHRAGM	

1A	21G63	2A	27X-72E
1B	25G63	2B	27X-84E
1C	30G63	2C	27X-92E
1D	33G63	2D	27X-100E
1E	36G63	2E	27X-104E
1F	36W63	2F	27X-104E
1G	42G63	2G	27X-124E

KEY	LV	PART NUMBER	Q'TY	DESCRIPTION	REMARKS
1A		430327-16431	1	BAR, GUIDE 21G63	
2A		431132-16431	1	CHAIN, SAW 27X-72E	
1B		430328-16431	1	BAR, GUIDE 25G63	
2B		431133-16431	1	CHAIN, SAW 27X-84E	
1C		430329-16431	1	BAR, GUIDE 30G63	
2C		431134-16431	1	CHAIN, SAW 27X-92E	
1D		430332-16431	1	BAR, GUIDE 33 G 63	
2D		431136-16432	1	CHAIN, SAW 27X-100E	
1E		430330-16430	1	BAR, GUIDE 36G-63	
2E		431135-16432	1	CHAIN, SAW 27X-104E	
1F		X114-000000	1	BAR,GUIDE 36W63	
2F		431135-16432	1	CHAIN, SAW 27X-104E	
1G		X117-000000	1	BAR,GUIDE 105	
2G		431137-16431	1	CHAIN, SAW 27X-124E	

Index

Patrs Number	Key No.	Patrs Number	Key No.	Patrs Number	Key No.
890149-16430	1 - 1	437205-16430	1 - 51	100144-12331	3 - 11
900162-06025	1 - 2	132115-12330	1 - 39	100146-00310	3 - 12
101514-16432	1 - 3	436205-14730	1 - 52	152800-60730	3 - 13
179805-32930	1 - 4	436212-16431	1 - 53	177234-14730	3 - 20
179815-16432	1 - 5	436001-60730	1 - 54	900600-00006	3 - 21
900345-20014	1 - 6	900720-00025	1 - 55	177247-02830	3 - 22
900600-00005	1 - 7	436024-02830	1 - 56	177218-02830	3 - 23
179812-16431	1 - 8	131050-19830	1 - 57	900100-06016	3 - 24
179806-16431	1 - 9	900246-03008	1 - 58	177200-16432	3 - 26
101011-60730	1 - 10	131051-19830	1 - 59	900162-05014	3 - 27
400912-00910	1 - 11	890151-60730	2 - 1	300217-00610	3 - 28
101100-16430	1 - 12	130302-16430	2 - 2	177246-10631	3 - 29
101114-02831	1 - 13	130406-00330	2 - 3	900242-04012	3 - 30
101113-02830	1 - 14	900701-00011	2 - 4	177243-02833	3 - 31
101112-12430	1 - 15	130305-16430	2 - 5	177226-14730	3 - 32
101112-32930	1 - 26	130312-16430	2 - 6	177215-10632	3 - 33
101112-02830	1 - 28	130331-16430	2 - 7	177216-10630	3 - 34
900220-05010	1 - 16	130714-16430	2 - 8	177242-14730	3 - 35
101010-16431	1 - 17	900162-05050	2 - 9	177220-10631	3 - 36
100000-60730	1 - 18	P021-010271	2 - 10	177221-10630	3 - 37
100011-16431	1 - 19	A021-001261	2 - 30	V323-000060	3 - 38
100013-16430	1 - 20	V103-000330	2 - 31	177228-16430	3 - 39
100015-16430	1 - 21	130037-16430	2 - 11	177227-10630	3 - 40
100012-16430	1 - 22	900162-05014	2 - 12	101522-16430	3 - 41
100014-60730	1 - 23	130013-16431	2 - 13	900162-06025	3 - 42
100100-60731	1 - 24	130012-32930	2 - 14	X502-000460	3 - 43
100142-12330	1 - 25	130510-16431	2 - 15	150611-14730	3 - 44
100204-16430	1 - 29	900162-05020	2 - 16	351604-05262	4 - 1
130113-12330	1 - 27	130011-16430	2 - 17	351613-05260	4 - 37
433011-16430	1 - 30	130512-14731	2 - 18	900162-06020	4 - 2
100212-16431	1 - 31	900106-06025	2 - 20	351611-16430	4 - 4
100215-02830	1 - 32	145600-16430	2 - 21	900162-06020	4 - 2
100242-16430	1 - 33	145510-16431	2 - 22	900162-06025	4 - 3
900702-00047	1 - 34	145633-16430	2 - 23	351618-16431	4 - 5
900810-06204	1 - 35	145818-14730	2 - 24	900162-05014	4 - 6
100213-16430	1 - 36	178516-00830	2 - 25	152615-60730	4 - 7
900162-06030	1 - 37	900150-05015	2 - 26	152605-60730	4 - 8
437201-14730	1 - 40	145720-16431	2 - 27	900242-05010	4 - 9
130110-16430	1 - 38	145642-16431	2 - 28	131004-60730	4 - 10
437059-11133	1 - 41	437412-16430	3 - 1	900720-00032	4 - 11
437000-16430	1 - 42	159012-16430	3 - 2	131050-19830	4 - 12
437020-02830	1 - 43	159011-03432	3 - 3	900246-03008	4 - 13
437019-02830	1 - 44	159010-10630	3 - 4	131051-19830	4 - 14
880210-16431	1 - 45	162021-60730	3 - 5	900600-00004	4 - 15
900105-06020	1 - 46	162010-60730	3 - 6	129020-14730	4 - 16
900162-05014	1 - 47	150112-00310	3 - 7	129013-14730	4 - 17
433026-16430	1 - 48	150117-16430	3 - 8	129010-14730	4 - 18
145713-00630	1 - 49	152626-60730	3 - 9	100917-16430	4 - 19
437412-16430	1 - 50	900162-05025	3 - 10	100915-16430	4 - 21

Index

Patrs Number	Key No.	Patrs Number	Key No.	Patrs Number	Key No.
162010-14732	4 - 22	433025-16430	5 - 8	430327-16431	7 - 1A
100910-16431	4 - 23	433012-16430	5 - 9	431132-16431	7 - 2A
178211-05260	4 - 24	900220-03006	5 - 10	430328-16431	7 - 1B
178011-16430	4 - 25	433035-16430	5 - 13	431133-16431	7 - 2B
178043-16430	4 - 26	433013-16430	5 - 14	430329-16431	7 - 1C
900342-50025	4 - 27	433014-16430	5 - 15	431134-16431	7 - 2C
178010-05260	4 - 28	433016-16430	5 - 16	430332-16431	7 - 1D
178090-16430	4 - 29	A056-000170	5 - 20	431136-16432	7 - 2D
900342-40018	4 - 30	175018-60730	5 - 21	430330-16430	7 - 1E
178091-16430	4 - 31	P021-010080	5 - 22	431135-16432	7 - 2E
351110-16431	4 - 32	175016-60730	5 - 23	X114-000000	7 - 1F
163400-19831	4 - 33	175019-60130	5 - 24	431135-16432	7 - 2F
890157-16430	4 - 34	175006-60730	5 - 25	X117-000000	7 - 1G
351111-16431	4 - 35	175012-60730	5 - 26	431137-16431	7 - 2G
178302-12330	4 - 36	175015-60730	5 - 27		
178510-16430	4 - 38	X605-000070	5 - 36		
178810-02830	4 - 39	X605-000100	5 - 37		
156114-06330	4 - 40	895811-00130	5 - 38		
131002-60732	4 - 43	895410-10630	5 - 39		
900105-05014	4 - 42	X698-000050	5 - 40		
131410-00330	4 - 44	A021-001261	6 -		
900600-00002	4 - 45	123110-10630	6 - 1		
900300-20015	4 - 46	P003-001530	6 - 2		
132010-05260	4 - 47	123125-05260	6 - 3		
132115-12330	4 - 48	123112-05260	6 - 4		
132013-26630	4 - 49	123126-10631	6 - 5		
131205-19831	4 - 50	123127-03930	6 - 6		
131300-16430	4 - 51	123130-02960	6 - 7		
V471-003440	4 - 52	P003-001560	6 - 8		
437100-16430	4 - 55	123114-38830	6 - 9		
437101-14730	4 - 56	123132-05260	6 - 10		
437119-14731	4 - 57	123136-10631	6 - 11		
900720-00006	4 - 58	123135-10631	6 - 12		
437111-00231	4 - 59	P003-001570	6 - 13		
437102-16430	4 - 60	123121-22130	6 - 14		
437013-00330	4 - 61	123120-05260	6 - 15		
437012-00330	4 - 62	123118-05260	6 - 16		
437052-00330	4 - 63	P003-001540	6 - 17		
437206-16430	4 - 64	P003-001550	6 - 18		
437207-32930	4 - 65	123114-05260	6 - 19		
437221-16430	4 - 66	P003-001750	6 - 20		
437211-16431	4 - 67	123137-04260	6 - 21		
437412-16430	4 - 68	123138-10630	6 - 22		
900105-06020	5 - 2	123139-03930	6 - 23		
880210-16431	5 - 3	123122-10630	6 - 24		
433019-10630	5 - 4	123123-05260	6 - 25		
145713-00630	5 - 5	123140-10630	6 - 26		
X502-000540	5 - 6	123141-05260	6 - 27		
433021-16430	5 - 7	123142-10630	6 - 28		

YAMABIKO CORPORATION

7-2 SUEHIROCHO 1-CHOME, OHME, TOKYO 198-8760, JAPAN
PHONE: 81-428-32-6118. FAX: 81-428-32-6145.

