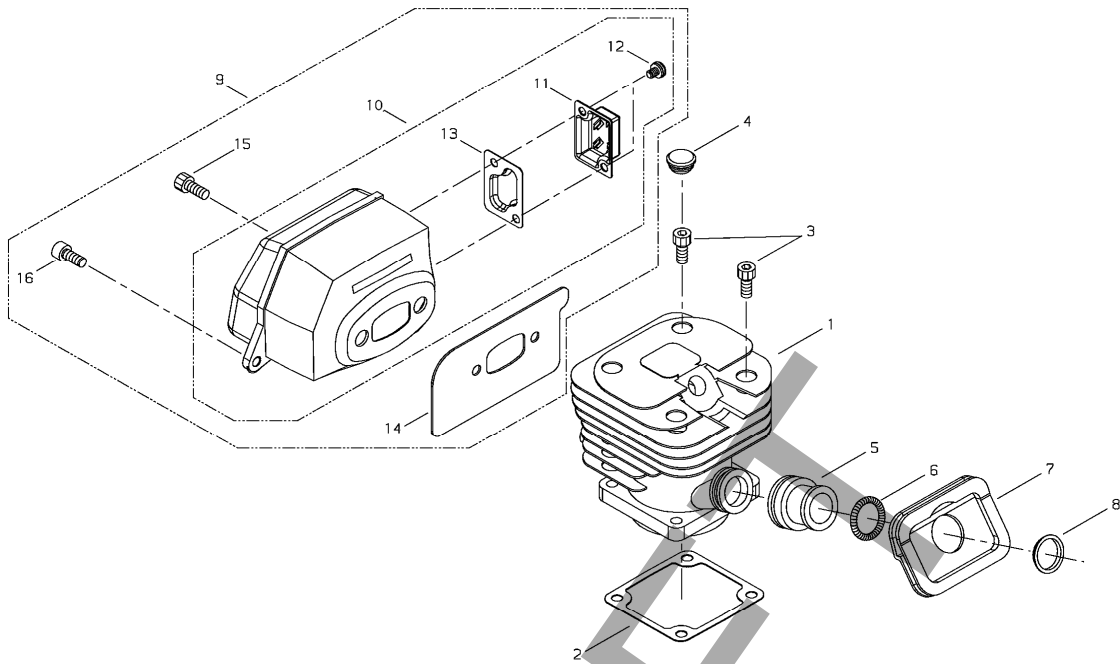


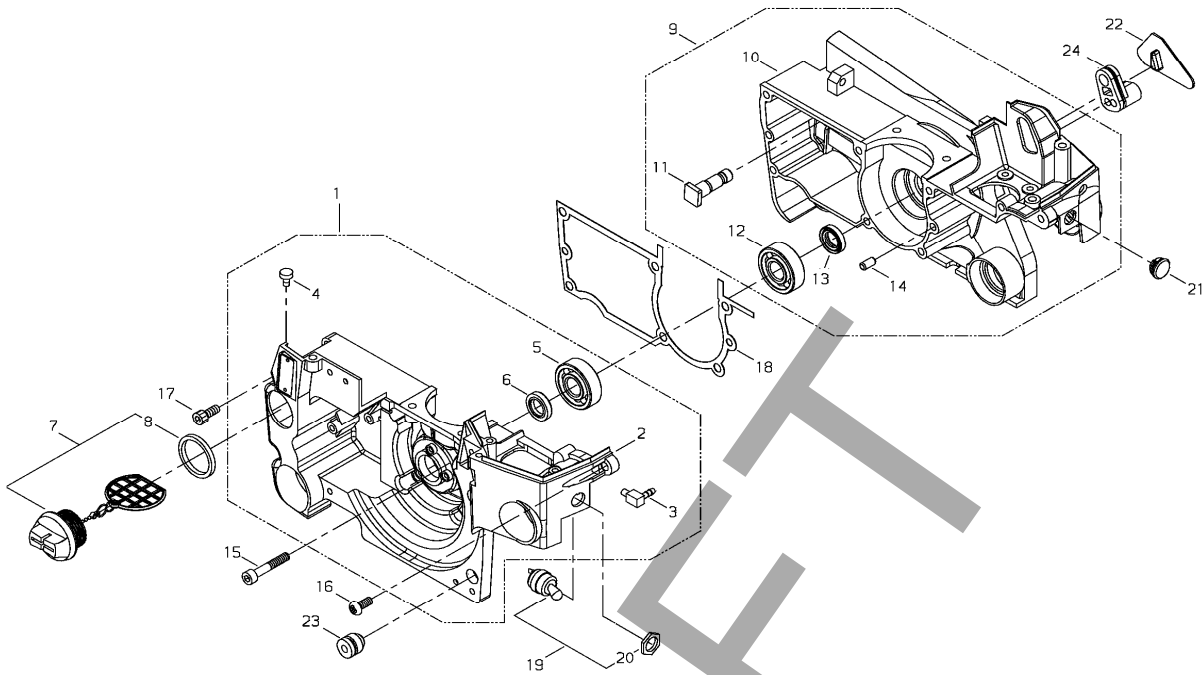
**shindaiwa<sup>®</sup>**

**PARTS CATALOG**  
**488EMC**

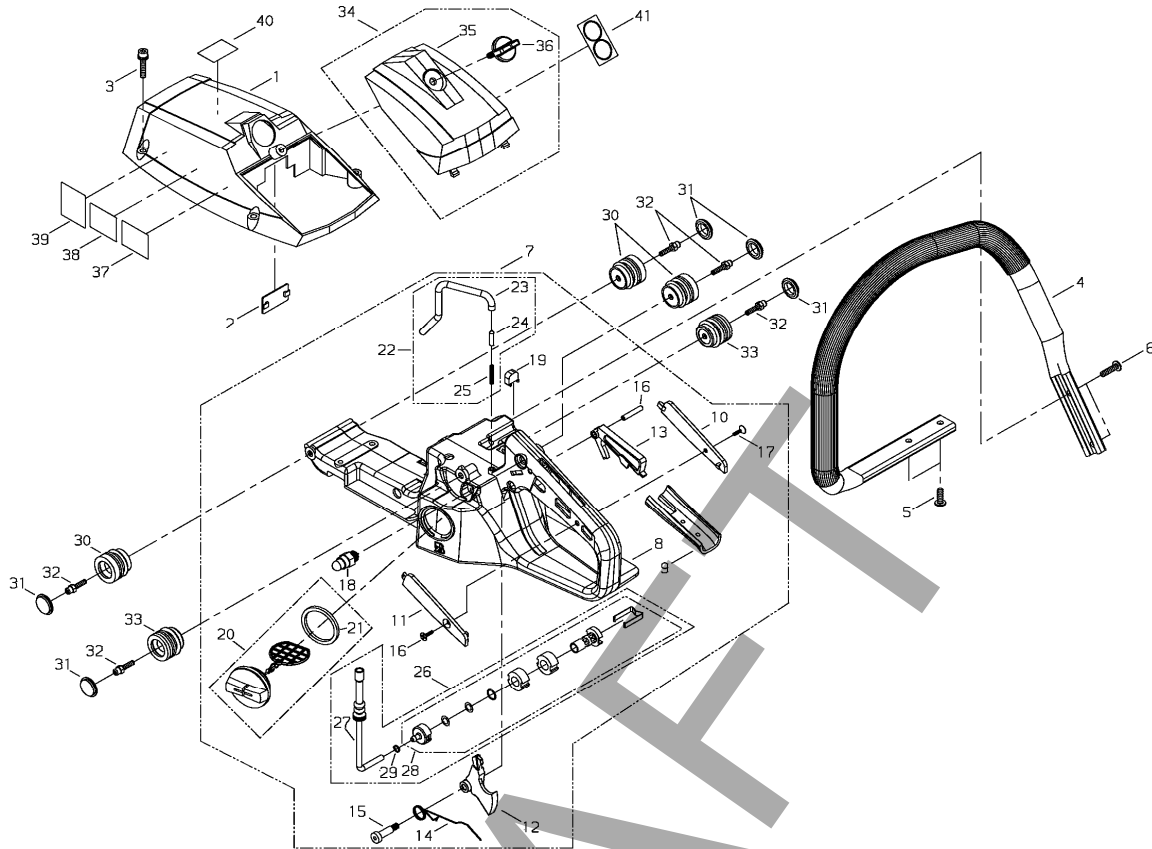
DRAFT



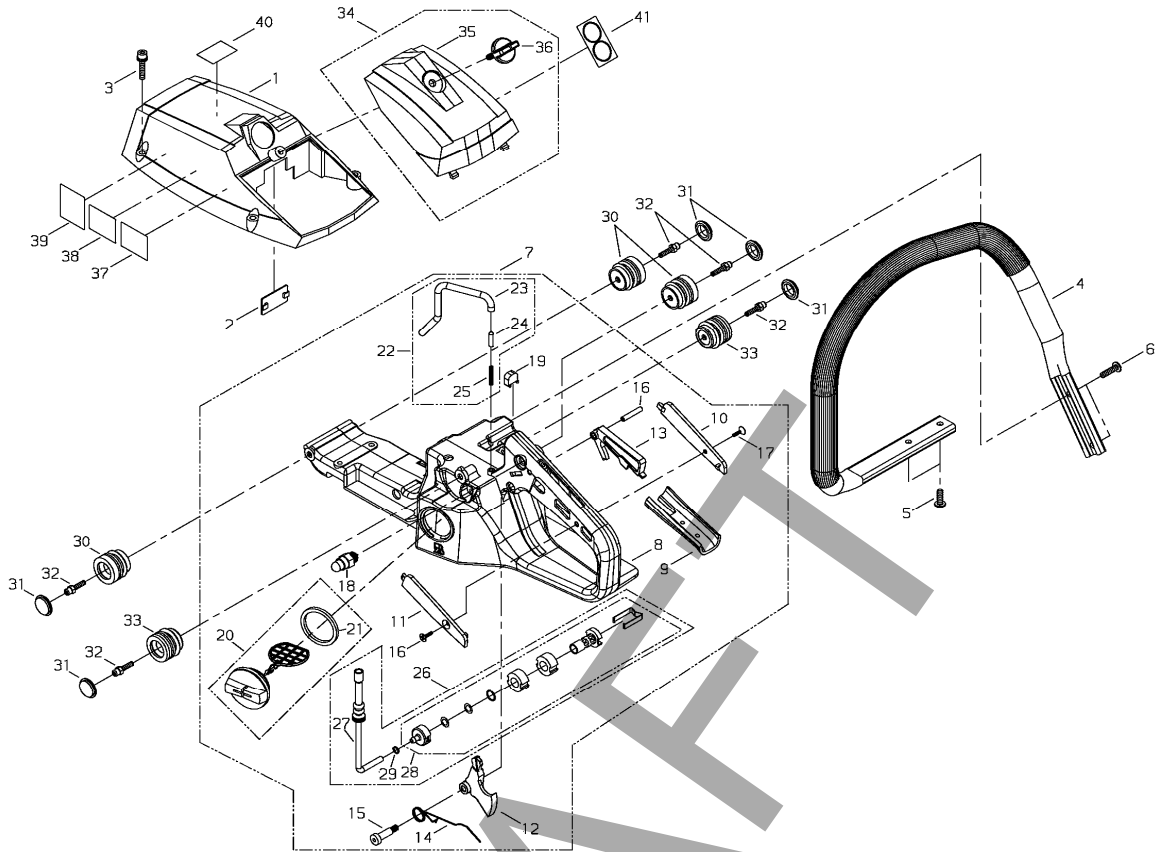
KEY	LV	OLD PART NO.	Q'TY	NEW PART NO.	DESCRIPTION
		+indicates that this part is included IN the assembly or service kit part number above			
		++indicates that this part is also included IN the part number with "+" listed above			
1		22157-12110	1	A130001630	CYLINDER
2		22160-12121	1	V100000550	GASKET CYLINDER
3		22157-12130	4	V203001600	BOLT
4		22160-22220	1	V141000110	PLUG SWITCH
5		22160-12150	1	A202000160	BOOT
6		22160-12160	1	V451000900	SPRING
7		22160-12170	1	V541000280	SEAL
8		22115-14140	1	V359000210	SLEEVE
9		72311-15001	1	P021032170	MUFFLER ASSY
10	+	72311-15101	1	A030000550	MUFFLER SUB ASSY
11	++	72311-15210	1	A313001570	TAIL PLATE
12	++	11203-04060	2	9157804006	SCREW
13	++	72311-15190	1	A310000300	SCREEN
14	+	22160-15311	1	V104001590	GASKET MUFFLER
15	+	22157-12130	2	V203001600	BOLT
16	+	22157-15330	2	V203001500	BOLT



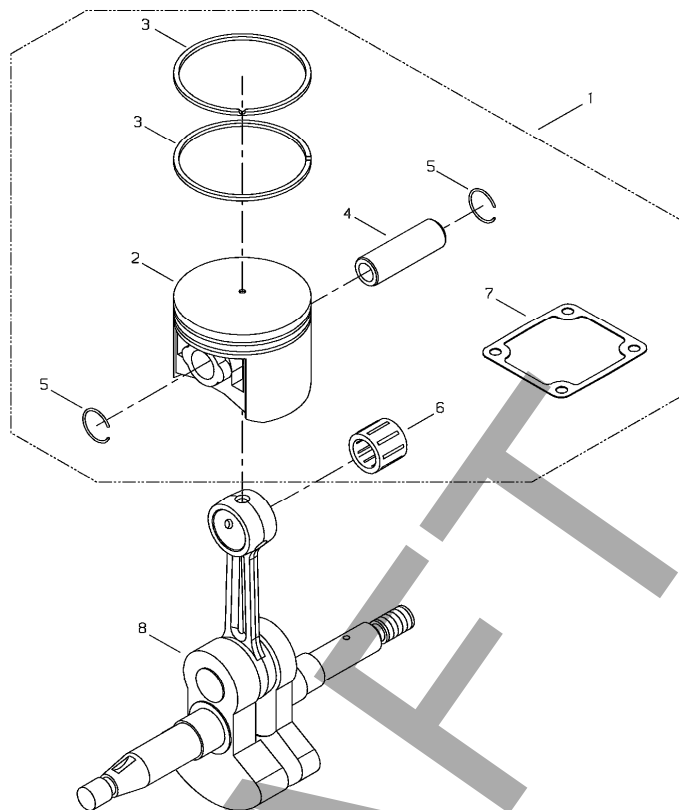
KEY	LV	OLD PART NO.	Q'TY	NEW PART NO.	DESCRIPTION
1		22157-21201	1	P021022130	CRANK CASE M COMP
2	+	22157-21210	1	P021022140	CRANK CASE M
3	+	22150-21220	1	V185000000	PULSE JOINT
4	+	22115-57120	1	A356000130	VALVE OIL TANK
5	+	12900-62010	1	V592000110	BEARING
6	+	22150-21250	1	V505000140	SEAL OIL
7		22160-21302	1	C020000020	OIL CAP ASSY
8	+	22160-21351	1	V106000080	GASKET CAP
9		72312-21502	1	P021032220	CRANK CASE C COMP
10	+	22160-21512	1	A120000890	CRANK CASE C
11	+	72312-21520	2	V225000160	BOLT BAR
12	+	12900-62010	1	V592000110	BEARING
13	+	22150-21250	1	V505000140	SEAL OIL
14	+	12492-50100	3	V623000060	ROLLER
15		22157-21750	4	V203001510	BOLT
16		22157-21760	1	V253000650	SCREW
17		22157-12130	2	V203001600	BOLT
18		22160-21720	1	V102000170	GASKET CASE
19		22160-22100	1	A440001640	SWITCH ASSY
20	+	22154-22130	1	V266000090	NUT
21		22160-22220	1	V141000110	PLUG SWITCH
22		22160-22250	1	V420002820	STOPPER H
23		22160-33730	1	V420002840	SUPPORTER
24		22160-82150	1	V131000120	GROMMET CARBURETOR



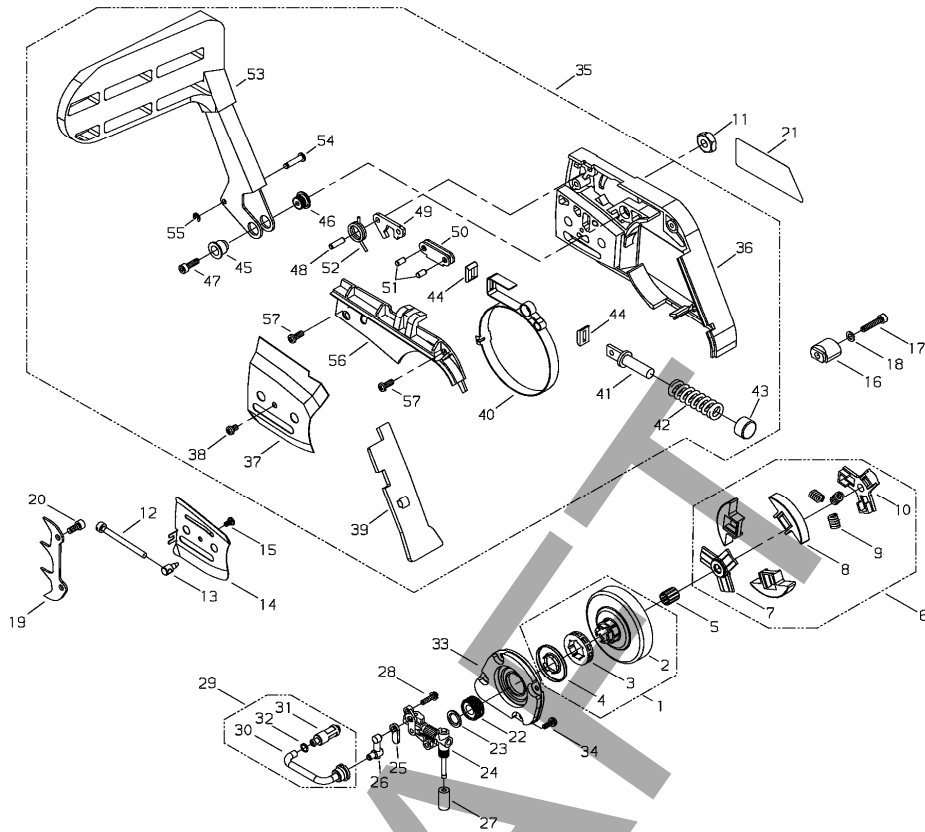
KEY	LV	OLD PART NO.	Q'TY	NEW PART NO.	DESCRIPTION
1		22160-31110	1	A160002080	CYLINDER COVER
2		22160-31120	1	A219000050	PLUG
3		22160-31150	3	V203001640	BOLT
4		72311-32110	1	C040000580	FRONT HANDLE
5		22160-32210	2	V253000710	SCREW
6		22160-32220	2	V253000550	SCREW
7		22160-33104	1	C041000350	REAR HANDLE SUB ASSY
8	+	22157-33200	1	C041000450	REAR HANDLE
9	+	22160-33310	1	C403000540	GRIP
10	+	22160-33320	1	C403000550	PLATE R
11	+	22160-33330	1	C403000560	PLATE L
12	+	39309-32240	1	C450000650	THROTTLE LEVER
13	+	22160-33360	1	C460000320	LOCK LEVER
14	+	22160-33370	1	V452000890	SPRING LEVER
15	+	22160-33380	1	V203001520	BOLT LEVER
16	+	12420-40255	1	9306040250	SPRING PIN
17	+	11202-40120	2	V252000480	SCREW HILO
18	+	22160-33401	1	C461000100	STOPPER ASSY
19	+	22160-33590	1	V420002830	STOPPER R
20	+	22160-33801	1	A033000230	CAP ASSY
21	++	22160-33821	1	V107000080	GASKET
22	+	22160-33901	1	A039000030	BREATHER ASSY
23	++	22160-33910	1	V470001480	PIPE BREATHER
24	++	22157-33950	1	E615000000	ELEMENT
25	++	22160-33920	1	V450001140	SPRING
26	+	22160-34100	1	A034000160	FUEL PIPE ASSY



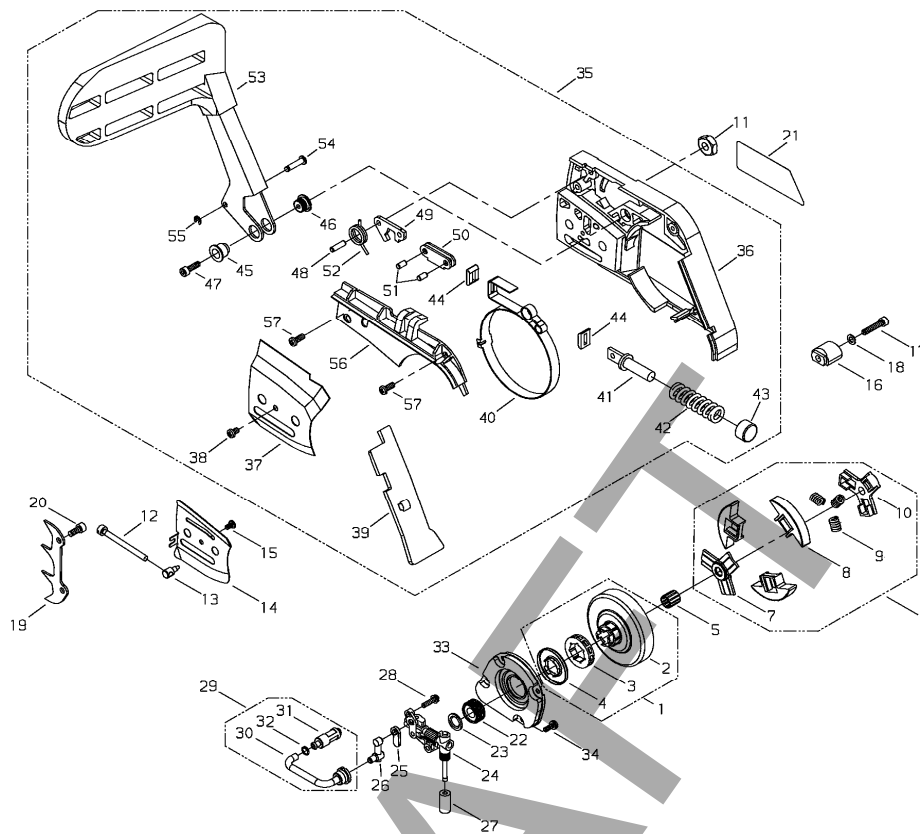
KEY	LV	OLD PART NO.	Q'TY	NEW PART NO.	DESCRIPTION
27	++	22160-34110	1	V470001490	FUEL PIPE
28	++	22115-85401	1	13120519831	FUEL FILTER
29	++	20020-85540	1	V490000500	CLIP
30		22160-33710	3	V401000350	CUSHION 27
31		22160-33720	5	V421000050	PLUG 27
32		22160-33770	5	V203001480	BOLT
33		22160-97810	2	V401000360	CUSHION 27
34		22157-82500	1	P021034390	CLEANER COVER ASSY
35		22157-82510	1	A232001210	CLEANER COVER
36		22155-82520	1	A235000280	KNOB CLEANER COVER
37		72229-53130	1	X505003600	CAUTION PLATE H
38		72288-31120	1	X505003570	CAUTION PLATE K
39		72288-31130	1	X505003580	CAUTION PLATE A
40		72164-33221	1	X505003830	CAUTION PLATE G
41		72229-75180	1	X505003610	CAUTION PLATE I



KEY	LV	OLD PART NO.	Q'TY	NEW PART NO.	DESCRIPTION
1		72365-98011	1	P021032610	PISTON SET
2	+	22157-41112	1	A100000960	PISTON
3	+	22157-41210	2	A101000520	PISTON RING
4	+	22157-41220	1	V608000060	PISTON PIN
5	+	22100-41230	2	V580000110	SNAP RING
6	+	22160-41240	1	V555000140	BEARING
7	+	22160-12121	1	V100000550	GASKET CYLINDER
8		22160-42002	1	A011001030	CRANK SHAFT

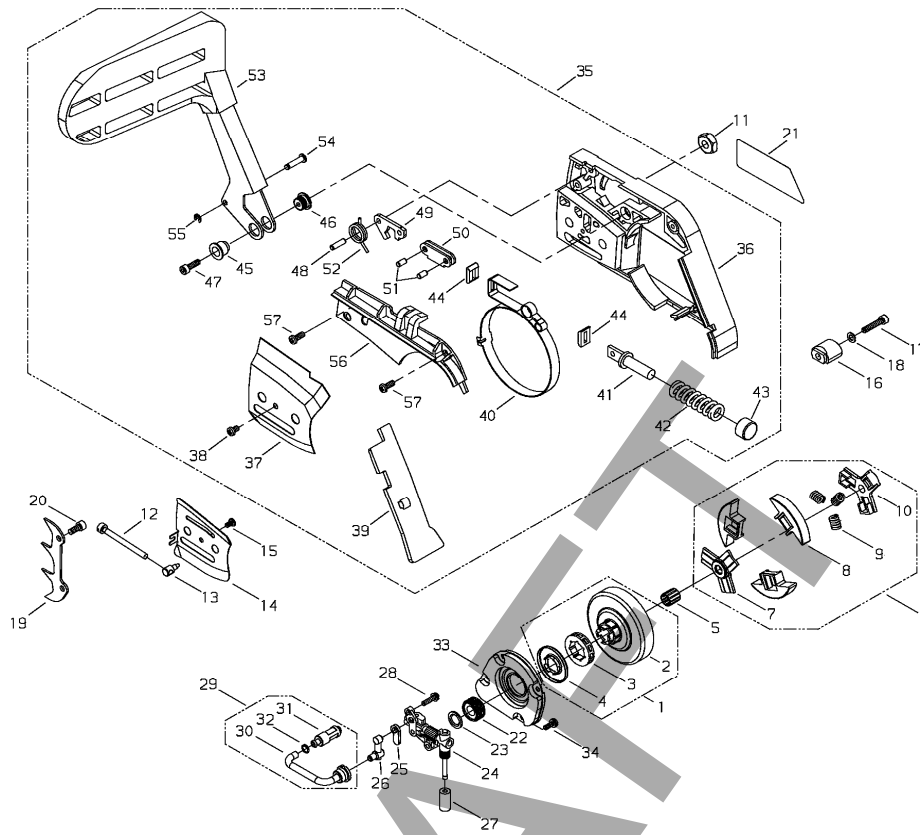


KEY	LV	OLD PART NO.	Q'TY	NEW PART NO.	DESCRIPTION
1		22160-51501	1	A055000100	CLUTCH DRUM ASSY
2	+	22160-51511	1	A556001140	CLUTCH DRUM
3	+	22131-98120	1	17511412530	RIM
4	+	22160-51530	1	V312000030	COVER
5		22100-51310	1	V555000150	NEEDLE BEARING
6		22160-51200	1	A056000620	CLUTCH ASSY
7	+	22160-51210	1	A552000250	CLUTCH BOSS A
8	+	22160-51220	3	A555000220	CLUTCH SHOE
9	+	22160-51230	3	V451000940	CLUTCH SPRING
10	+	22160-51240	1	A552000260	CLUTCH BOSS B
11		22154-52410	2	V265000250	NUT
12		22160-53310	1	V253000620	SLIDE SCREW
13		22150-52440	1	C309000110	TENSIONER,CHAIN
14		22160-97630	1	C305000290	GUIDE PLATE C
15		22173-56150	1	V252000470	SCREW
16		22160-52511	1	C310000080	CATCHER,CHAIN
17		22155-12190	1	V203001460	BOLT
18		01611-05100	1	9220305000	WASHER
19		22160-52530	1	C304000140	SPIKE
20		22157-15330	2	V203001500	BOLT
21		69026-91331	1	X504004240	LABEL TRADE
22		22154-55110	1	V652000170	GEAR
23		22154-55120	1	V307000330	THRUST PLATE
24		22160-55200	1	C022000130	OIL PUMP ASSY
25		22150-55411	1	V112000000	GASKET PUMP
26		22160-55420	1	V186000350	ELBOW

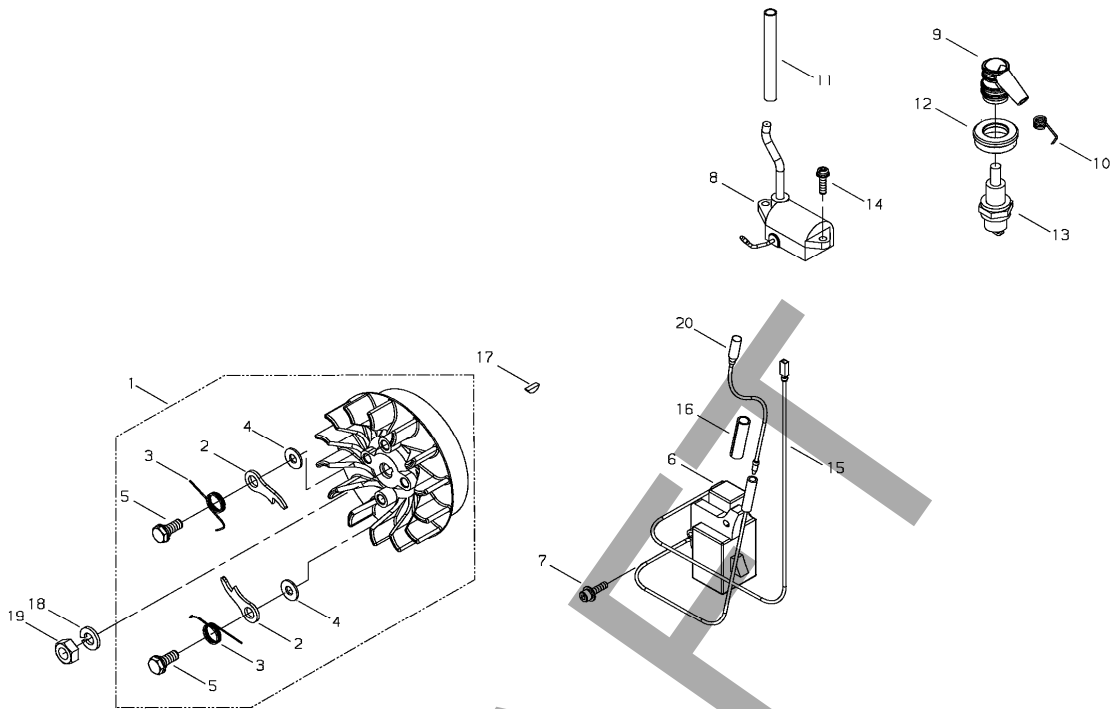


KEY	LV	OLD PART NO.	Q'TY	NEW PART NO.	DESCRIPTION
27		22155-55430	1	V418000010	FILTER
28		11205-04160	2	9157304016	SCREW
29		22160-55301	1	C021000040	OIL PIPE ASSY
30	+	22160-55310	1	V470001550	OIL PIPE
31	+	22169-57360	1	C209000080	OIL FILTER
32	+	22100-57370	1	V490000740	CRIP OIL FILTER
33		72317-56100	1	C236000090	PUMP COVER SUB ASSY
34		22160-56150	4	V252000460	SCREW
35		72346-54014	4	P021032500	BRAKE ASSY
36	+	72346-54112	1	C300000690	CLUTCH COVER
37	+	72316-54160	1	C305000310	GUIDE PLATE D
38	+	01270-04082	1	9137404008	SCREW TAPPING
39	+	72316-54171	1	C302000040	PROTECTOR
40	+	72345-54210	1	C328000130	BRAKE BAND
41	+	72316-54220	11	C334000130	HOLDER SPRING
42	+	72346-54230	1	V450001040	BRAKE SPRING
43	+	72316-54240	1	V456000170	STOPPER
44	+	72316-54310	2	C329000020	ADJUST PLATE
45	+	72316-54520	1	V352000170	HOLDER
46	+	72316-54530	1	V262000120	NUT LEVER
47	+	01020-04120	1	90010504012	BOLT
48	+	12492-40140	1	V622000050	ROLLER
49	+	22173-54561	1	C334000140	INNER LEVER
50	+	72316-54570	1	C334000150	TIE STRAP
51	+	12492-40080	2	V622000040	ROLLER
52	+	72316-54580	1	V452000900	SPRING LEVER

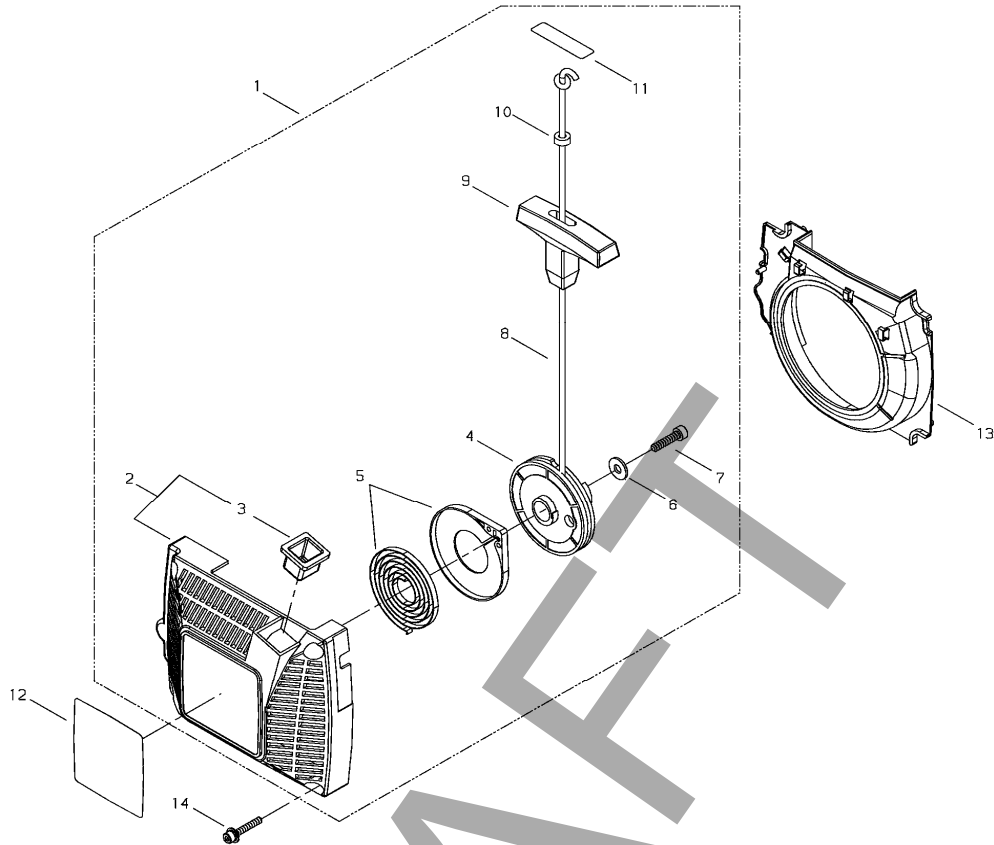




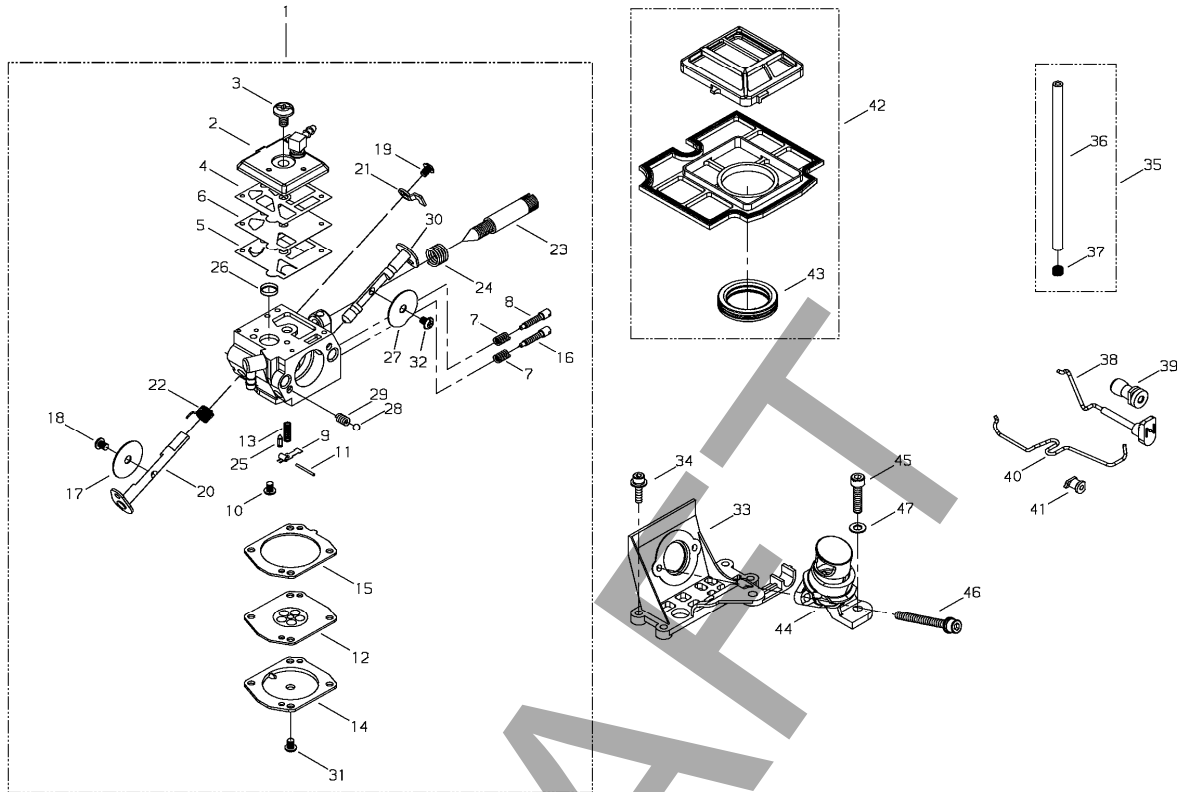
KEY	LV	OLD PART NO.	Q'TY	NEW PART NO.	DESCRIPTION
53	+	72316-54511	1	C320000200	LEVER
54	+	72316-54540	1	V641000170	PIN LEVER
55	+	02434-30060	1	9240303000	SNAP RING
56	+	72345-54611	1	C345000440	COVER
57	+	01270-04122	2	9137404012	SCREW TAPPING



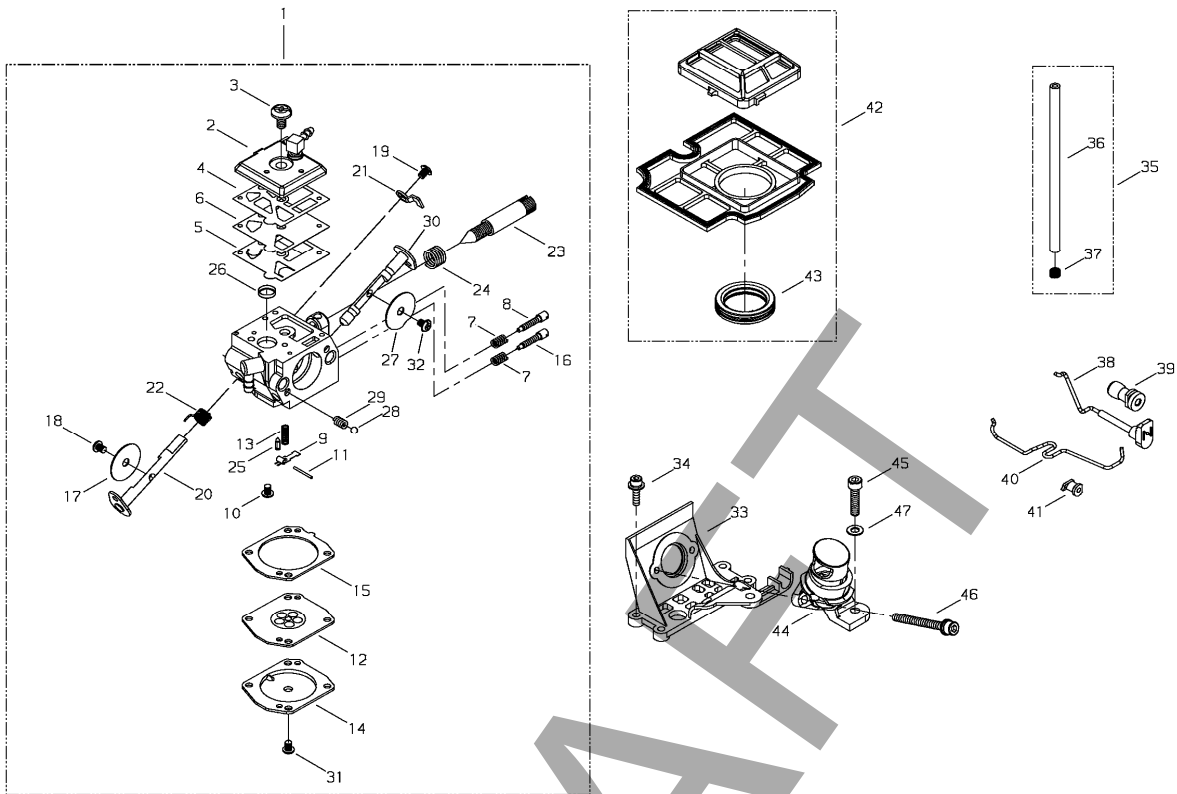
KEY	LV	OLD PART NO.	Q'TY	NEW PART NO.	DESCRIPTION
1		22160-71100	1	A409000850	ROTOR ASSY
2	+	22100-71410	2	A514000200	RATCHET
3	+	22100-71420	2	V452000780	SPRING RATCHET
4	+	22100-71430	2	V304000150	WASHER
5	+	22140-71440	2	V204000610	BOLT
6		22160-71511	1	A410000010	EXCITE COIL
7		11024-04200	2	V202000190	BOLT
8		22160-71702	1	A411001020	IGNITION COIL
9		22160-72220	1	A427000060	PLUG CAP
10		22154-72230	1	A426000040	TERMINAL,SPARKPLUG
11		22160-72240	1	V475005240	TUBE
12		22160-72260	1	A429000090	COVER,CAP
13		13000-13507	1	15901010230	SPARK PLUG BPMR7A
14		11205-04160	2	9157304016	SCREW
15		22160-71520	1	V485002020	CORD
16		22160-71530	1	V475005210	TUBE
17		02403-03100	1	9311503010	KEY
18		01600-08201	1	90060500008	SPRING WASHER
19		22100-43231	1	V265000180	NUT
20		22160-71750	1	V485002010	CORD



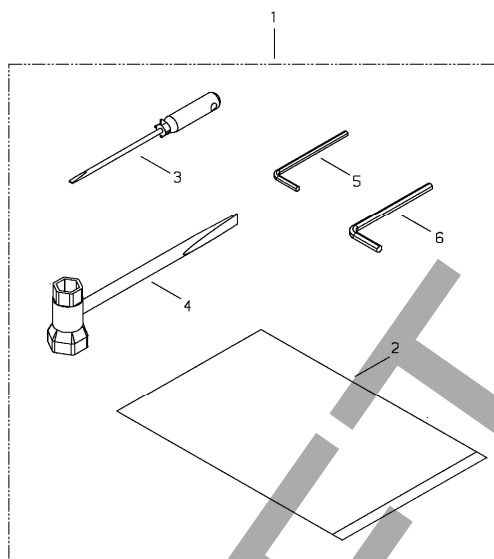
KEY	LV	OLD PART NO.	Q'TY	NEW PART NO.	DESCRIPTION
1		22160-75100	1	A051002010	RECOIL STARETR
2	+	22160-75210	1	A500001120	RECOIL CASE
3	++	22160-75220	1	A510000140	ROPE GUIDE
4	+	22160-75310	1	A506000380	REEL
5	+	22160-75410	1	A504000210	RECOIL SPRING
6	+	22160-75450	1	V303000300	WASHER
7	+	01020-05120	1	90010505012	BOLT
8	+	22160-75510	1	A509000370	ROPE
9	+	22150-75520	1	A511000250	KNOB RECOIL
10	+	22150-75530	1	V352000220	STOPPER KNOB
11	+	20010-75230	1	X707000050	TAPE
12		69026-91321	1	X504004250	LABEL TRADE
13		22160-75613	1	A172001450	AIR PLATE
14		11060-04163	4	V202000200	BOLT



KEY	LV	OLD PART NO.	Q'TY	NEW PART NO.	DESCRIPTION
1		22160-81002	1	A021002970	CARBURETOR ASSY
2	+	22150-81120	1	P003002850	PUMP COVER ASSY
3	+	22100-81130	1	12311003930	SCREW
4	+	22150-81140	1	12312512330	GASKET PUMP
5	+	22169-81150	1	P003003130	DIAPHRAGM PUMP
6	+	22169-81180	1	P003003150	DIAPHRAGM PUMP
7	+	22160-81160	2	12312116130	SPRING NEEDLE
8	+	22160-81170	1	P003003080	L NEEDLE
9	+	22160-81230	1	12312316130	LEVER
10	+	22100-81240	1	12313903930	SCREW
11	+	22100-81250	1	12313803930	PIN
12	+	22150-81260	1	12314116130	DIAPHRAGM ASSY
13	+	22160-81270	1	12312239830	SPRING LEVER
14	+	22150-81280	1	12314217330	COVER DAIPHRAGM
15	+	22150-81290	1	12314016130	GASKET DIAPHRAGM
16	+	22160-81330	1	P003003090	H NEEDLE
17	+	22100-81340	1	12311603930	THROTTLE VALVE
18	+	22150-81420	1	12315410630	SCREW ASSY
19	+	22100-81360	2	12311438830	SCREW
20	+	22160-81371	1	P003003110	SHAFT ASSY
21	+	22160-81390	1	12315630830	STOPPER
22	+	22150-81430	1	P003000560	RETURN SPRING
23	+	22156-81410	1	P003003030	IDLE SCREW
24	+	22156-81420	1	12313304260	SPRING, IDLE ADJUST
25	+	20036-81440	1	12313719830	VALVE
26	+	70030-81380	1	12312610631	SCREEN



KEY	LV	OLD PART NO.	Q'TY	NEW PART NO.	DESCRIPTION
27	+	22160-81710	1	12313232430	CHOKE VALVE
28	+	22150-81720	1	12313610630	BALL
29	+	22150-81730	1	12313510630	SPRING
30	+	22160-81740	1	P003003120	SHAFT ASSY
31	+	22100-81351	4	12313002960	SCREW
32	+	20803-81150	1	12311438830	SCREW
33		22160-82111	1	A200000860	MOUNT
34		11024-04160	4	V202000300	BOLT
35		22160-82200	1	V471002810	PULSE PIPE COMP
36	+	22160-82210	1	V471002820	PULSE PIPE
37	+	22150-82140	1	V490000760	CLIP,PULSE
38		22160-82311	1	A240000150	CHOKE ROD
39		22160-82321	1	V130000150	GROMMET CHOKE
40		22160-82353	1	C454000300	THROTTLE ROD
41		22160-82360	1	V133000050	GROMMET ROD
42		22173-82401	1	A226001050	AIR CLEANER COMP
43	+	22157-82431	1	V581000290	GROMMET CLEANER
44		22157-82451	1	A204000140	ELBOW CARBURETOR
45		22157-12130	1	V203001600	BOLT
46		11022-05500	2	V203001530	BOLT
47		01613-05080	1	90060300005	WASHER



KEY	LV	OLD PART NO.	Q'TY	NEW PART NO.	DESCRIPTION
1		72297-91000	1	P021031990	TOOL SET
2	+	19639-01100	1	X705000130	POLY BAG
3	+	22150-91160	1	X603000030	DRIVER
4	+	22150-91410	1	X602000170	PLUG WRENCH
5	+	09026-03001	1	X605000090	HEXA WRENCH 4MM
6	+	09026-04001	1	X605000100	HEXA WRENCH

**Index**

<b>Patrs Number</b>	<b>Key No.</b>	<b>Patrs Number</b>	<b>Key No.</b>	<b>Patrs Number</b>	<b>Key No.</b>
01020-04120	5 - 82	22128-85421	3 - 28	22157-41210	4 - 2
01020-05120	7 - 5	22128-85440	3 - 29	22157-41220	4 - 3
01270-04082	5 - 73	22128-85470	3 - 31	22157-82431	8 - 41
01270-04122	5 - 92	22128-85480	3 - 32	22157-82451	8 - 42
01600-08201	6 - 18	22131-98120	5 - 2	22157-82500	3 - 49
01611-05100	5 - 20	22140-71440	6 - 5	22157-82510	3 - 34
01613-05080	8 - 48	22150-21220	2 - 2	22160-12121	1 - 2
02403-03100	6 - 17	22150-21250	2 - 5	22160-12121	4 - 8
02434-30060	5 - 90	22150-21250	2 - 11	22160-12150	1 - 5
09026-03001	9 - 4	22150-52440	5 - 14	22160-12160	1 - 6
09026-04001	9 - 5	22150-55411	5 - 47	22160-12170	1 - 7
11022-05500	8 - 45	22150-75520	7 - 7	22160-15311	1 - 12
11024-04160	8 - 32	22150-75530	7 - 8	22160-21302	2 - 6
11024-04200	6 - 7	22150-81120	8 - 1	22160-21351	2 - 7
11060-04163	7 - 12	22150-81140	8 - 3	22160-21512	2 - 8
11202-40120	3 - 16	22150-81260	8 - 11	22160-21720	2 - 16
11203-04060	1 - 11	22150-81280	8 - 13	22160-22100	2 - 17
11205-04160	5 - 50	22150-81290	8 - 14	22160-22220	1 - 4
11205-04160	6 - 14	22150-81420	8 - 17	22160-22220	2 - 18
12420-40255	3 - 15	22150-81430	8 - 21	22160-22250	2 - 19
12492-40080	5 - 86	22150-81720	8 - 27	22160-31110	3 - 1
12492-40140	5 - 83	22150-81730	8 - 28	22160-31120	3 - 2
12492-50100	2 - 12	22150-82140	8 - 34	22160-31150	3 - 3
12900-62010	2 - 4	22150-91160	9 - 2	22160-32210	3 - 5
12900-62010	2 - 10	22150-91410	9 - 3	22160-32220	3 - 6
13000-13507	6 - 13	22154-22130	2 - 24	22160-33104	3 - 45
19639-01100	9 - 1	22154-52410	5 - 12	22160-33310	3 - 8
20010-75230	7 - 9	22154-55110	5 - 44	22160-33320	3 - 9
20020-85540	3 - 33	22154-55120	5 - 45	22160-33330	3 - 10
20036-81440	8 - 24	22154-72230	6 - 10	22160-33360	3 - 12
20803-81150	8 - 51	22155-12190	5 - 19	22160-33370	3 - 13
22100-41230	4 - 4	22155-55430	5 - 49	22160-33380	3 - 14
22100-43231	6 - 19	22155-82520	3 - 35	22160-33401	3 - 17
22100-51310	5 - 4	22156-81410	8 - 22	22160-33590	3 - 36
22100-57370	5 - 53	22156-81420	8 - 23	22160-33710	3 - 18
22100-71410	6 - 2	22157-12110	1 - 1	22160-33720	3 - 19
22100-71420	6 - 3	22157-12130	1 - 3	22160-33730	2 - 20
22100-71430	6 - 4	22157-12130	1 - 13	22160-33770	3 - 20
22100-81130	8 - 2	22157-12130	2 - 15	22160-33801	3 - 21
22100-81240	8 - 9	22157-12130	8 - 44	22160-33821	3 - 22
22100-81250	8 - 10	22157-15330	1 - 14	22160-33901	3 - 46
22100-81340	8 - 16	22157-15330	5 - 62	22160-33910	3 - 23
22100-81351	8 - 30	22157-21201	1 - 22	22160-33920	3 - 25
22100-81360	8 - 18	22157-21210	2 - 1	22160-34100	3 - 47
22115-14140	1 - 8	22157-21750	2 - 13	22160-34110	3 - 26
22115-57120	2 - 3	22157-21760	2 - 14	22160-41240	4 - 5
22115-85401	3 - 48	22157-33200	3 - 7	22160-42002	4 - 6
22118-85460	3 - 30	22157-33950	3 - 24	22160-51200	5 - 95
22128-85410	3 - 27	22157-41112	4 - 1	22160-51210	5 - 5

**Index**

<b>Patrs Number</b>	<b>Key No.</b>	<b>Patrs Number</b>	<b>Key No.</b>	<b>Patrs Number</b>	<b>Key No.</b>
22160-51220	5 - 6	22160-97630	5 - 15		
22160-51230	5 - 7	22160-97810	3 - 37		
22160-51240	5 - 8	22169-57360	5 - 52		
22160-51501	5 - 94	22169-81150	8 - 4		
22160-51511	5 - 1	22169-81180	8 - 5		
22160-51530	5 - 3	22173-54561	5 - 84		
22160-52511	5 - 18	22173-56150	5 - 16		
22160-52530	5 - 61	22173-82401	8 - 39		
22160-53310	5 - 13	39309-32240	3 - 11		
22160-55200	5 - 46	69026-91321	7 - 10		
22160-55301	5 - 96	69026-91331	5 - 43		
22160-55310	5 - 51	70030-81380	8 - 25		
22160-55420	5 - 48	72164-33221	3 - 41		
22160-56150	5 - 56	72229-53130	3 - 38		
22160-71100	6 - 1	72229-75180	3 - 44		
22160-71511	6 - 6	72288-31120	3 - 39		
22160-71520	6 - 15	72288-31130	3 - 40		
22160-71530	6 - 16	72297-91000	9 - 6		
22160-71702	6 - 8	72311-15001	1 - 16		
22160-71750	6 - 20	72311-15101	1 - 9		
22160-72220	6 - 9	72311-15190	1 - 15		
22160-72240	6 - 11	72311-15210	1 - 10		
22160-72260	6 - 12	72311-32110	3 - 4		
22160-75100	6 - 14	72312-21502	2 - 23		
22160-75210	7 - 1	72312-21520	2 - 9		
22160-75220	7 - 13	72316-54160	5 - 72		
22160-75310	7 - 2	72316-54171	5 - 74		
22160-75410	7 - 3	72316-54220	5 - 76		
22160-75450	7 - 4	72316-54240	5 - 78		
22160-75510	7 - 6	72316-54310	5 - 79		
22160-75613	7 - 11	72316-54511	5 - 88		
22160-81002	8 - 63	72316-54520	5 - 80		
22160-81160	8 - 6	72316-54530	5 - 81		
22160-81170	8 - 7	72316-54540	5 - 89		
22160-81230	8 - 8	72316-54570	5 - 85		
22160-81270	8 - 12	72316-54580	5 - 87		
22160-81330	8 - 15	72317-56100	5 - 97		
22160-81371	8 - 19	72345-54210	5 - 75		
22160-81390	8 - 20	72345-54611	5 - 91		
22160-81710	8 - 26	72346-54014	5 - 70		
22160-81740	8 - 29	72346-54112	5 - 71		
22160-82111	8 - 31	72346-54230	5 - 77		
22160-82150	2 - 21	72365-98011	4 - 7		
22160-82200	8 - 50				
22160-82210	8 - 33				
22160-82311	8 - 35				
22160-82321	8 - 36				
22160-82353	8 - 37				
22160-82360	8 - 38				



# YAMABIKO CORPORATION

7-2 SUEHIROCHO 1-CHOME, OHME, TOKYO 198-8760, JAPAN  
PHONE: 81-428-32-6118. FAX: 81-428-32-6145.

DRAFT

**shindaiwa<sup>®</sup>**