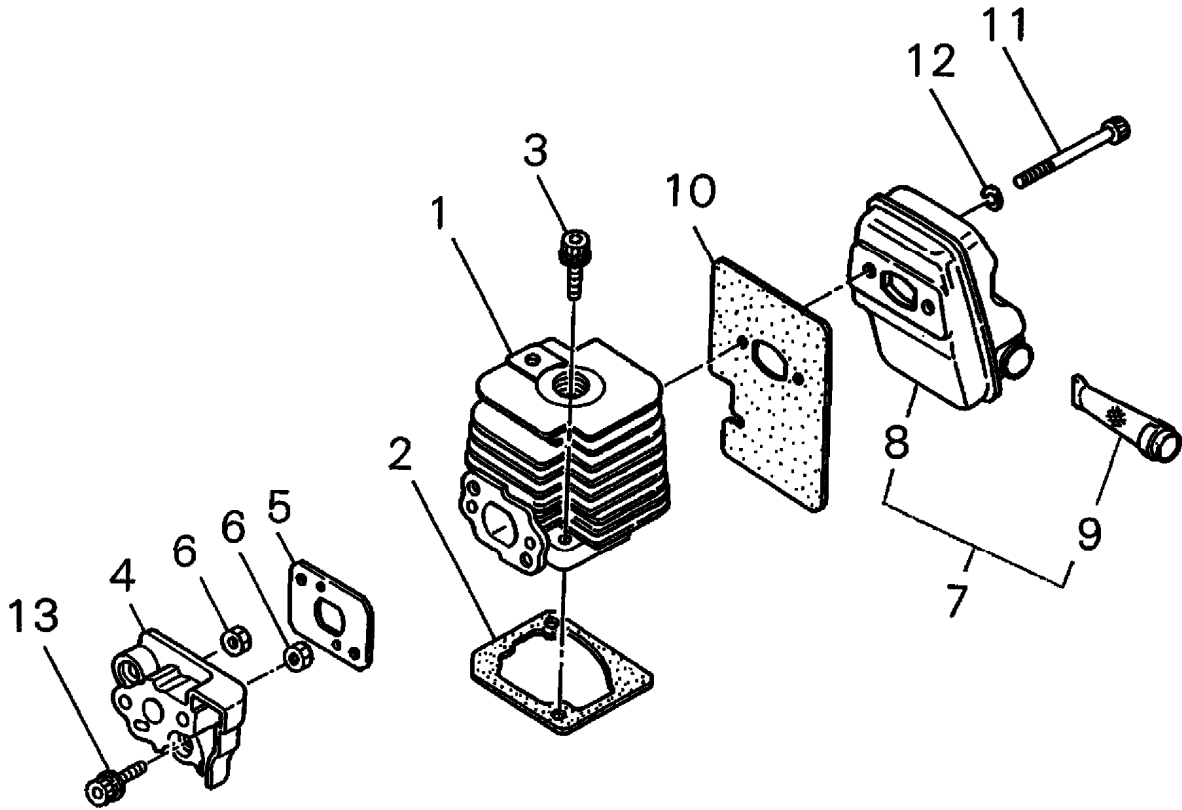
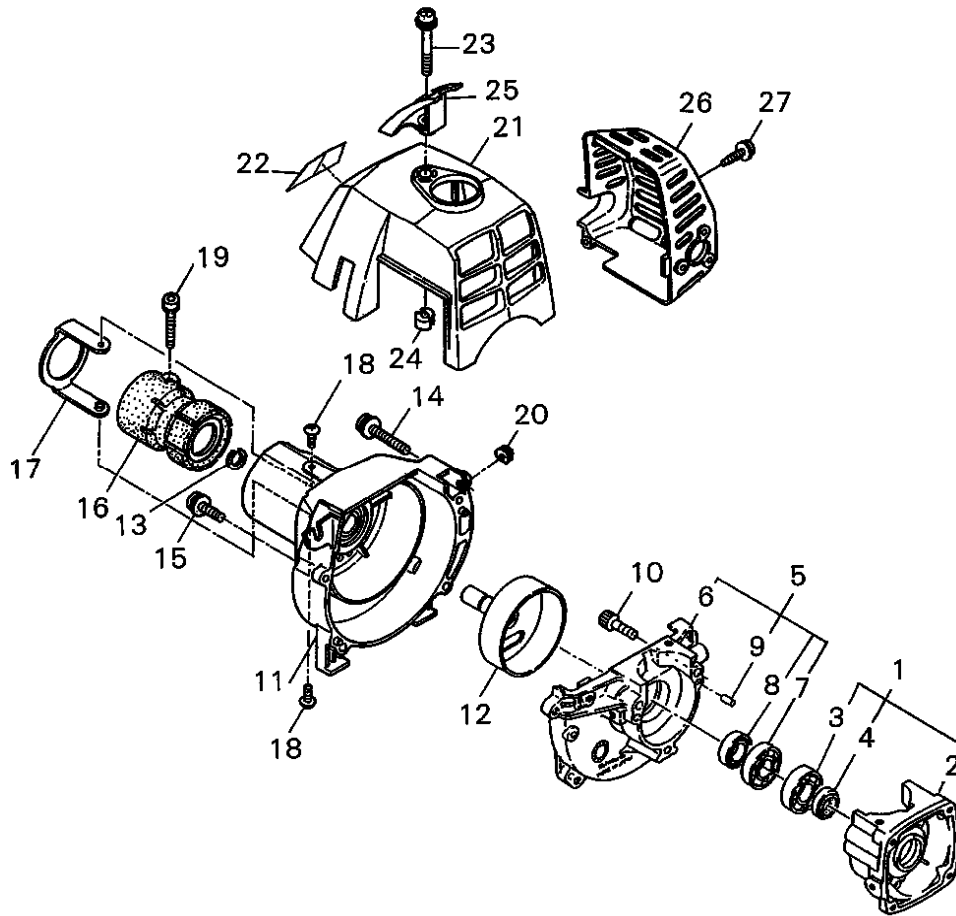


shindaiwa[®]

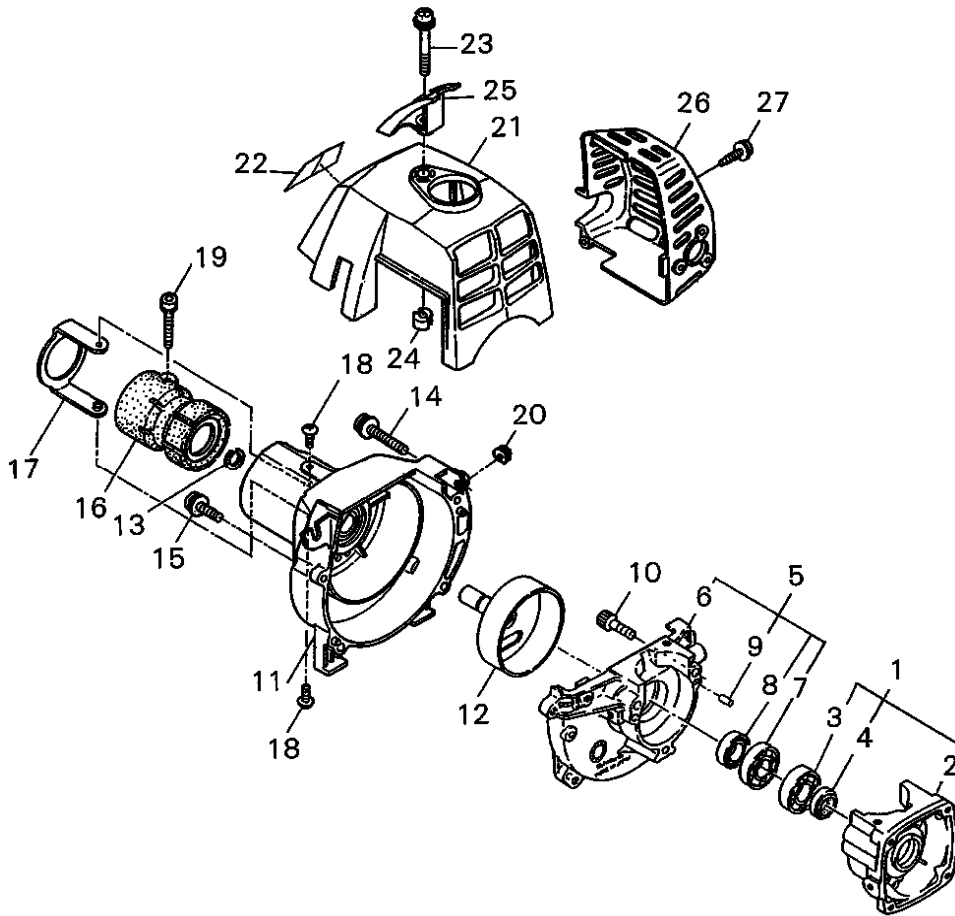
PARTS CATALOG
22CINTL



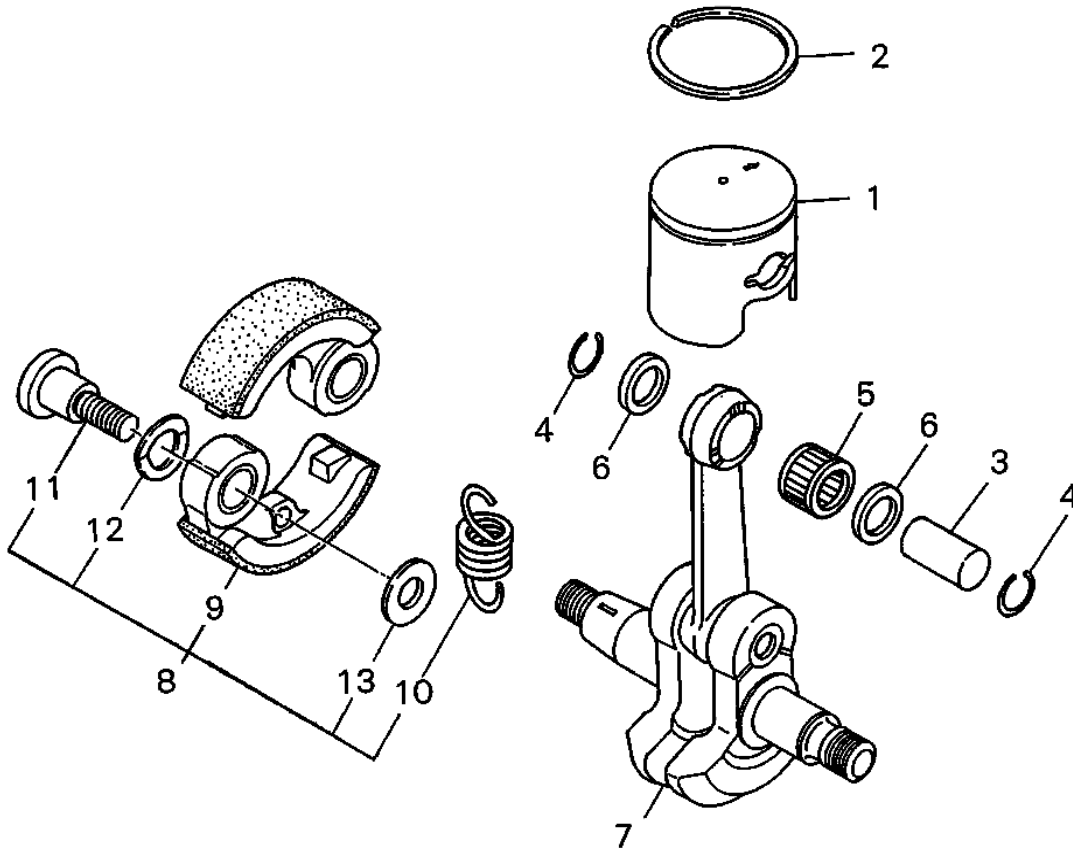
KEY	LV	OLD PART NO.	Q'TY	NEW PART NO.	DESCRIPTION
		+indicates that this part is included IN the assembly or service kit part number above			
		++indicates that this part is also included IN the part number with "+" listed above			
1		20142-12110	1	A130001150	CYLINDER
2		20016-12120	1	V100000490	GASKET
3		11022-05250	2	V203000630	BOLT
4		20140-12210	1	A200000470	INSULATOR
5		20140-12221	1	V103000720	GASKET
6		20011-12260	2	V263000260	NUT
7		67000-15010	1	A030000130	MUFFLER ASSY
8	+	67000-15110	1	A300000900	MUFFLER
9	+	67000-15340	1	A310000180	SPARK ARRESTER
10		20140-15120	1	V104001120	GASKET
11		01020-05400	2	90010505040	BOLT
12		01610-05080	2	90060000005	WASHER
13		11022-05250	2	V203000630	BOLT



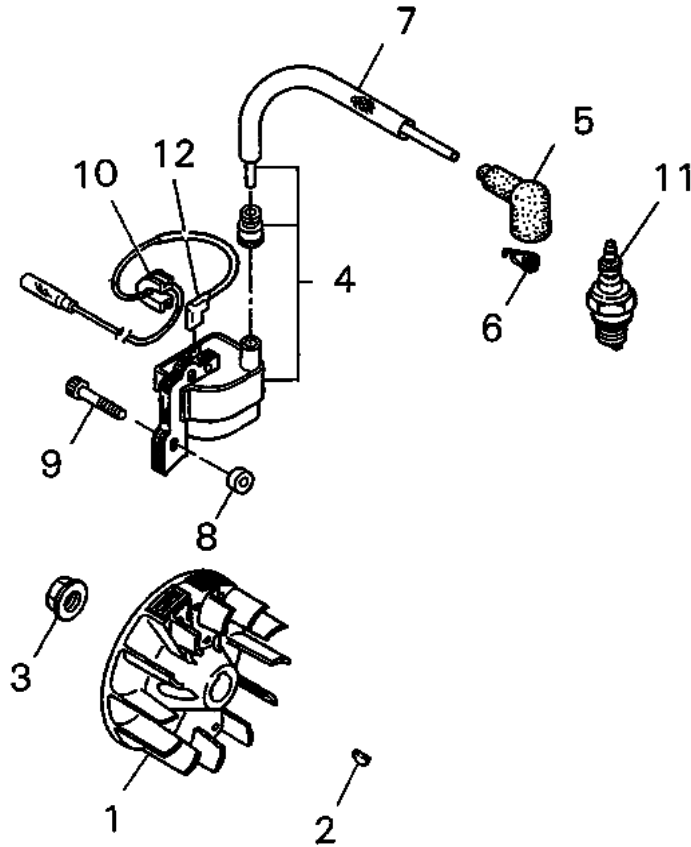
KEY	LV	OLD PART NO.	Q'TY	NEW PART NO.	DESCRIPTION
1		20035-21101	1	P021018090	CRANK CASE S COMP
2	+	20036-21112	1	A120000170	CRANK CASE S
3	+	12900-60010	1	V592000070	BALL BEARING
4	+	22150-21250	1	V505000140	SEAL,OIL
5		20140-21201	1	P021018680	CRANK CASE M COMP
6	+	20036-21124	1	A120000180	CRANK CASE M
7	+	12900-60010	1	V592000070	BALL BEARING
8	+	20000-21211	1	V505000080	OIL SEAL
9	+	12492-40080	2	V622000040	ROLLER
10		01020-05250	3	90010505025	BOLT
11		20142-31113	1	A172000990	FAN COVER
12		20016-31212	1	A556000650	CLUTCH DRUM
13		20000-31140	2	V583000170	SNAP RING
14		11206-05300	1	9157405030	SCREW
15		11206-05160	1	9157405016	SCREW
16		20087-31411	1	A575000190	JOINT
17		20142-31420	1	C617000400	STOPPER
18		11260-04081	2	V252000100	SCREW ADHESIVE
19		11020-05220	2	V203000620	BOLT
20		20011-72120	1	V136000060	GROMMET
21		20140-32112	1	A160001370	CYLINDER COVER
22		62038-91020	1	X504001450	LABEL TRADE
23		20140-31250	1	V254000030	SCREW
24		20140-31260	1	V354000240	INSULATOR
25		20140-34112	1	A162000170	PROTECTOR
26		20142-32211	1	A320000590	MUFFLER COVER



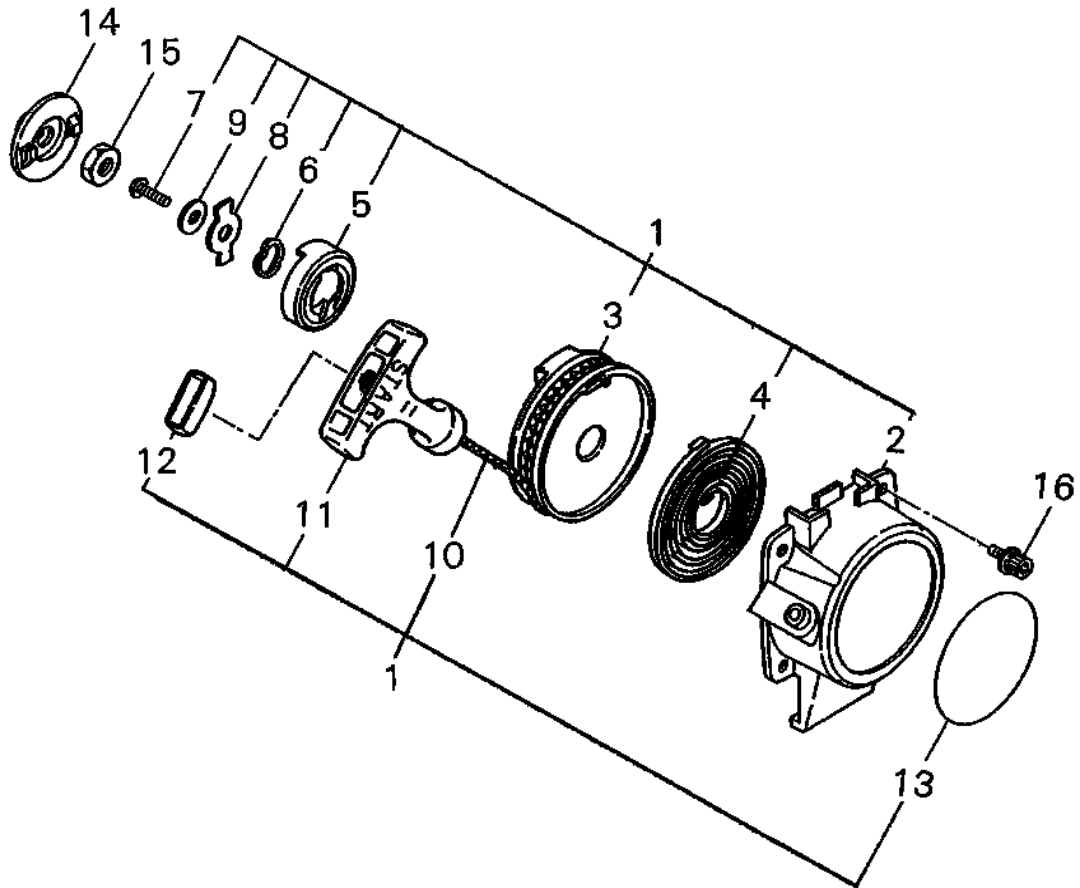
KEY	LV	OLD PART NO.	Q'TY	NEW PART NO.	DESCRIPTION
27		22160-32210	1	V253000710	SCREW



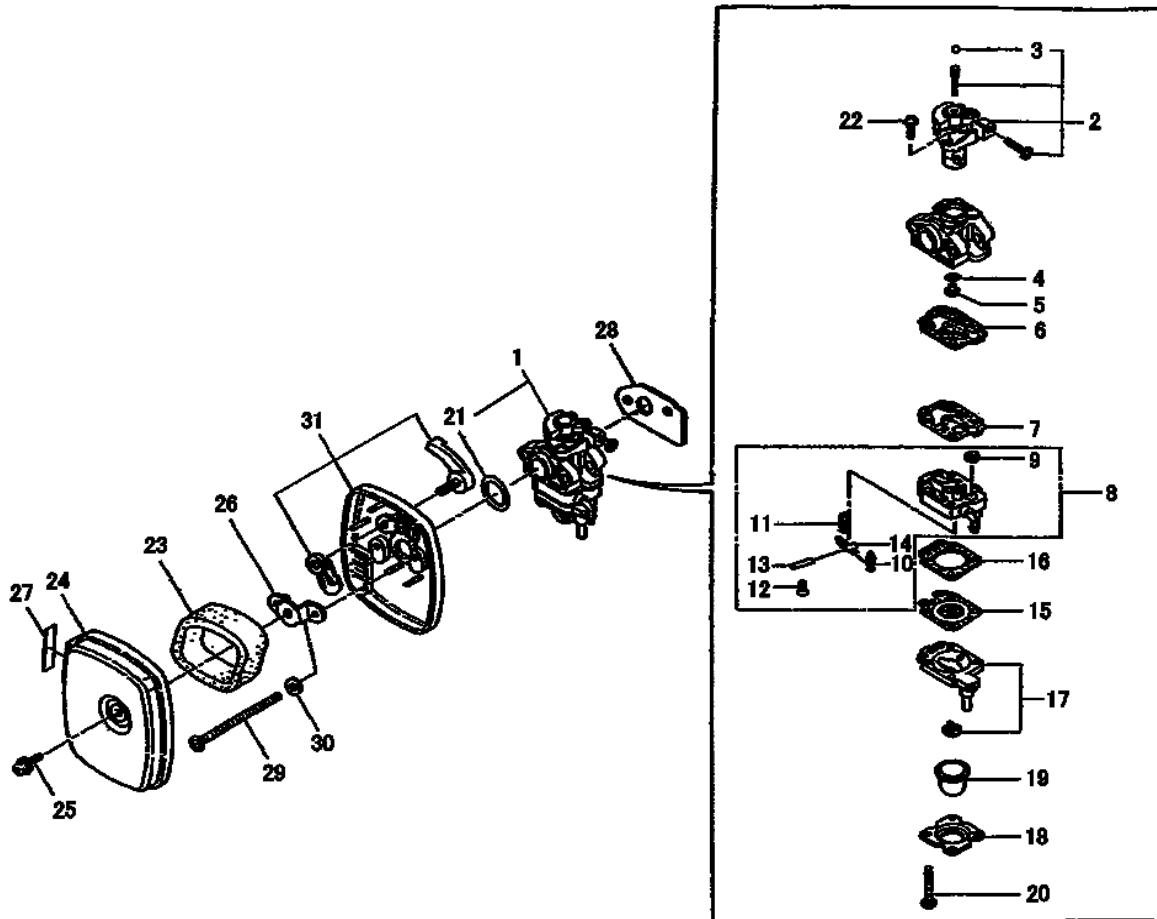
KEY	LV	OLD PART NO.	Q'TY	NEW PART NO.	DESCRIPTION
1		20142-41111	1	A100000550	PISTON
2		20142-41210	1	A101000300	PISTON RING
3		20142-41310	1	V606000050	PISTON PIN
4		70030-41320	2	V580000070	RING,END
5		67000-41230	1	V553000100	NEEDLE BEARING
6		20016-41340	2	V306000260	THRUST WASHER
7		67000-42010	1	A011000720	CRANK SHAFT
8		67000-51011	1	A056000330	CLUTCH SHOE SET
9	+	20035-51111	2	A553000070	CLUTCH SHOE
10	+	20035-51221	1	A566000060	CLUTCH SPRING
11	+	20142-51210	2	A557000060	BOLT
12	+	20087-51231	2	V346000040	SPRING PLATE
13	+	22100-71430	2	V304000150	WASHER



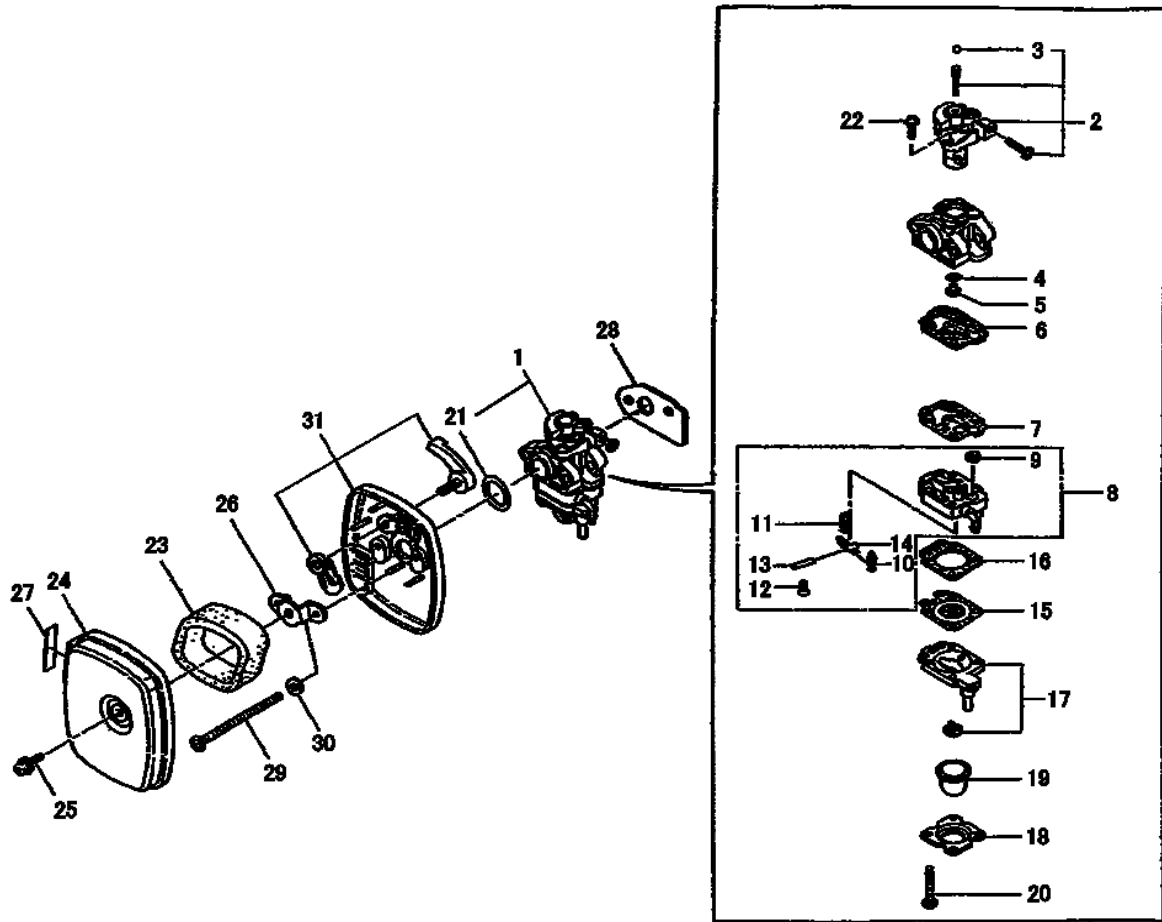
KEY	LV	OLD PART NO.	Q'TY	NEW PART NO.	DESCRIPTION
1		20140-71200	1	A409000500	ROTOR
2		02403-03100	1	9311503010	KEY
3		20035-71220	1	V265000140	NUT
4		20140-71600	1	A411000640	COIL ASSY
5		70223-72200	1	A427000070	PLUG CAP COMP
6		20000-72230	1	A426000050	SPRING SPARK PLUG
7		70064-72111	1	V475004510	TUBE
8		70030-71620	2	V322000040	INSULATOR
9		11024-04261	2	V202000330	BOLT
10		20011-72120	1	V136000060	GROMMET
11		13000-13406	1	15901010130	SPARK PLUG BMR6A
12		67000-71240	1	V485001390	CORD



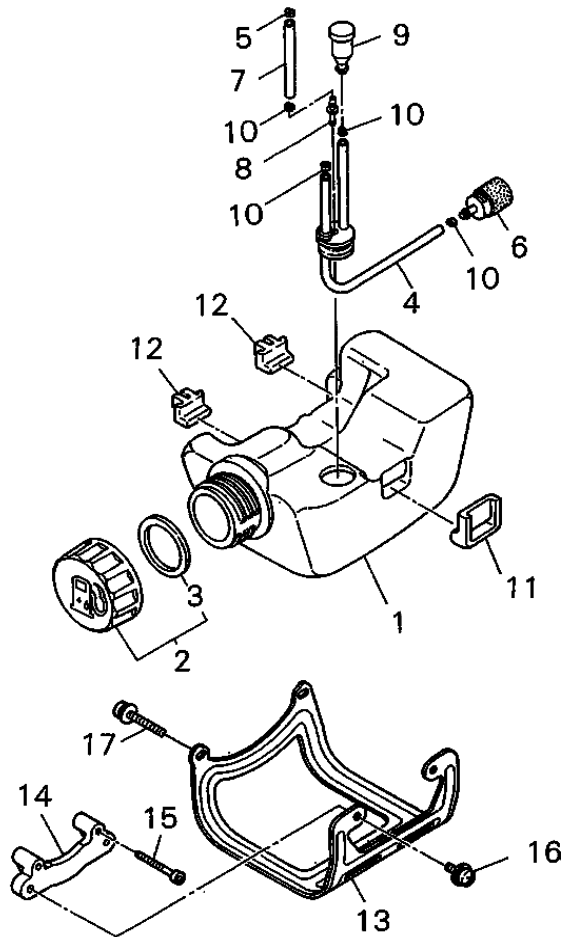
KEY	LV	OLD PART NO.	Q'TY	NEW PART NO.	DESCRIPTION
1		20140-75900	1	A051002600	STARTER,RECOIL
2	+	20140-75110	1	A500000700	STARTER CASE
3	+	20140-75120	1	A506000200	REEL
4	+	20140-75130	1	A504000110	SPRING
5	+	20140-75140	1	C533000060	DOG
6	+	20140-75150	1	V450000840	BRAKE SPRING
7	+	20140-75160	1	V253000320	SCREW
8	+	20140-75170	1	A503000040	RETAINER
9	+	20140-75180	1	V392000000	WASHER
10	+	70064-75190	1	A509000320	ROPE
11	+	70064-75211	1	A511000150	HANDLE
12	+	70064-75220	1	A522000020	STOPPER
13		62038-91030	1	X504001460	NAME PLATE
14		20140-75310	1	A520000120	STARTER PULLEY
15		01511-08051	1	90050300008	NUT
16		11024-04120	4	V202000180	BOLT



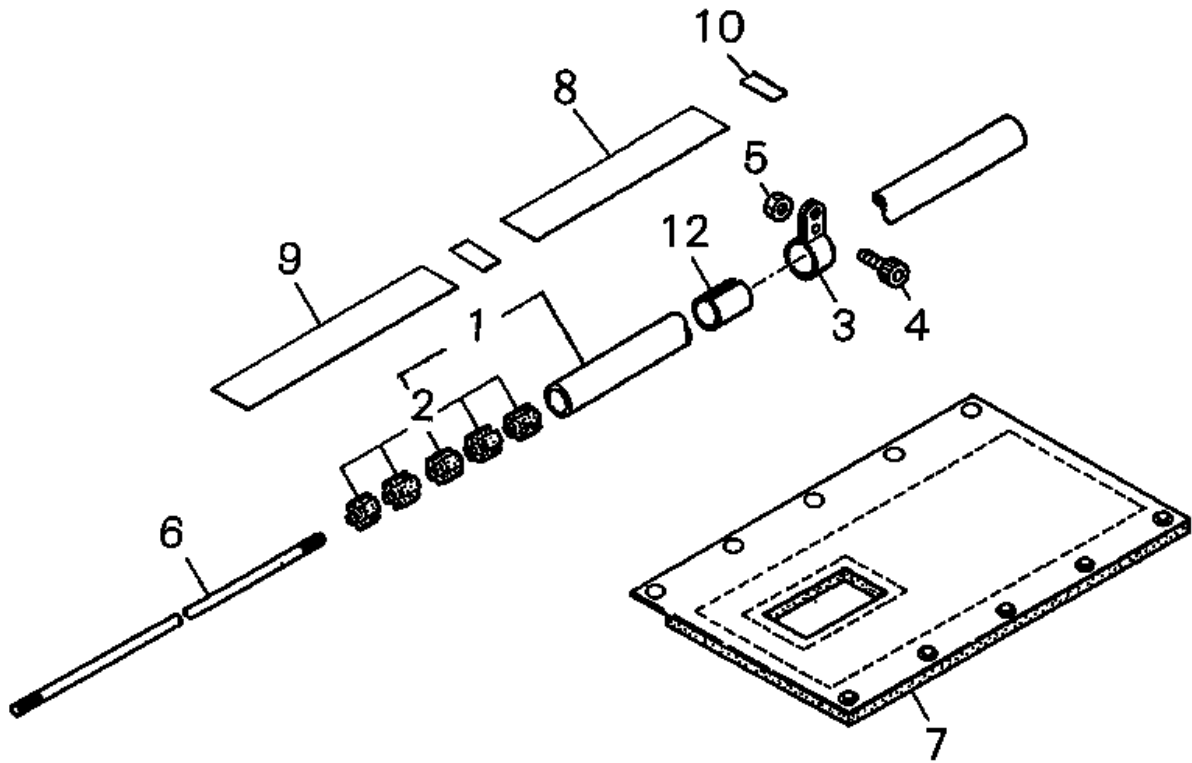
KEY	LV	OLD PART NO.	Q'TY	NEW PART NO.	DESCRIPTION
1		67000-81010	1	A021002120	CARBURETOR ASSY
2	+	20016-81180	1	12311605160	VALVE ASSY
3	++	62074-81320	1	P003001940	PLAG
4	+	70097-81220	1	12318340630	O-RING
5	+	67000-81330	1	P003004940	MAIN JET
6	+	70097-81310	1	12312540630	GASKET,PUMP
7	+	70097-81320	1	12311240630	DIAPHRAGM
8	+	72933-81410	1	12317905560	PUMP BODY ASSY
9	++	70030-81380	1	12312610631	SCREEN
10	++	20036-81440	1	12313719830	VALVE
11	++	72933-81270	1	12312205560	SPRING
12	++	20016-81450	1	12313905560	SCREW
13	++	22100-81250	1	12313803930	PIN
14	++	22100-81230	1	12312338330	LEVER, METERING
15	+	22100-81260	1	12314103930	DIAPHRAGM ASM
16	+	20016-81280	1	12314005560	GASKET
17	+	20016-81420	1	12318005560	PUMP BASE COMP
18	+	20016-81510	1	12314205560	PUMP COVER
19	+	20036-81670	1	12318140630	PRIMER PUMP
20	+	20016-81140	1	12311005560	SCREW
21	+	20016-81250	1	90072000015	O RING
22	+	70064-81290	2	12311444330	SCREW
23		20140-82210	1	A226000580	FILTER
24		20140-81790	1	A232000680	CLEANER COVER
25		37019-82340	1	V252000120	SCREW
26		20018-81721	1	A244000190	BACK PLATE



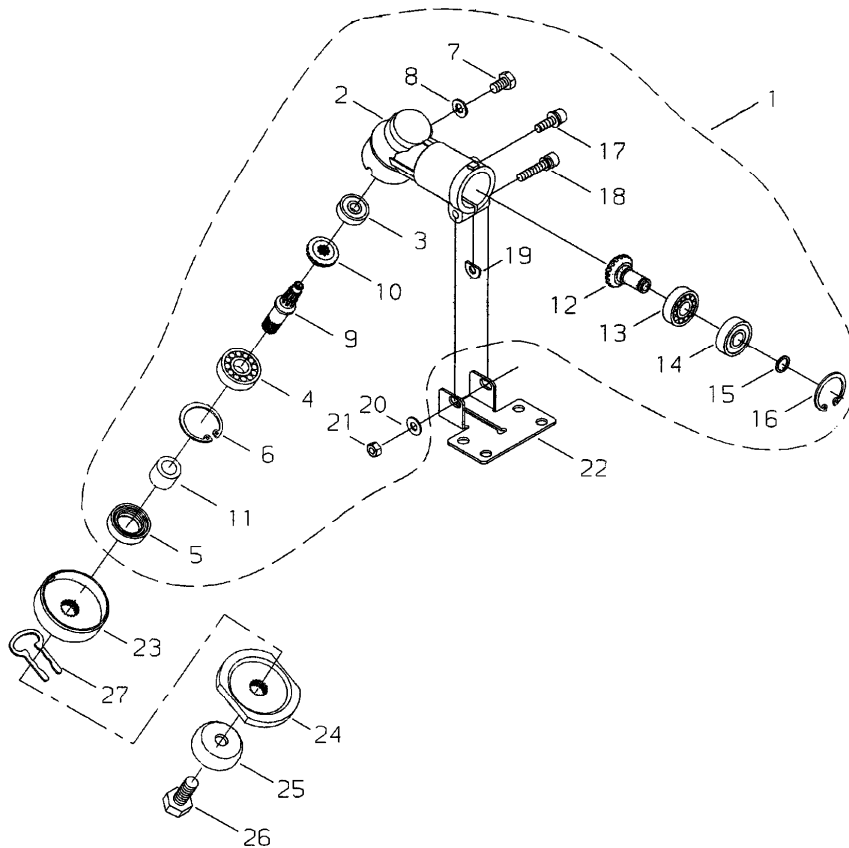
KEY	LV	OLD PART NO.	Q'TY	NEW PART NO.	DESCRIPTION
27		19404-00008	1	X506000130	LABEL CHOKE
28		20140-81350	1	V103000730	GASKET
29		11203-05658	2	9157905065	SCREW
30		01610-05080	2	90060000005	WASHER
31		20140-81700	1	P021018690	CLEANER BODY



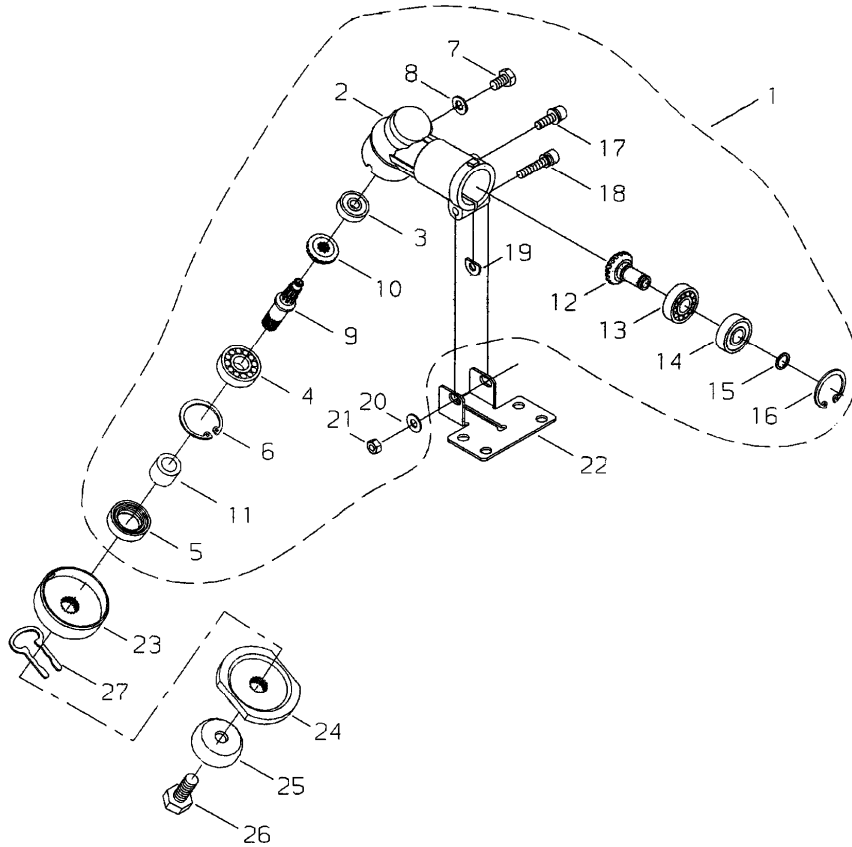
KEY	LV	OLD PART NO.	Q'TY	NEW PART NO.	DESCRIPTION
1		20142-85113	1	A350001120	FUEL TANK
2		70043-85201	1	A033000070	FUEL CAP SUB ASSY
3	+	20000-85221	1	V107000010	GASKET
4		20140-85310	1	V470000920	FUEL PIPE
5		37013-85310	1	V490000510	CLIP
6		20016-85400	1	A369000070	FUEL FILTER
7		20112-85361	1	V471002740	PIPE
8		72933-85620	1	V186000210	JOINT
9		20035-85522	1	A356000040	VALVE
10		20020-85540	4	V490000500	CLIP
11		20087-86130	1	V420002240	TANK CUSHION
12		20087-86141	2	V420002250	TANK CUSHION
13		62902-85320	1	A175000220	TANK GUARD
14		67000-86310	1	V376001200	BRACKET
15		11024-04300	2	V202000220	BOLT
16		11206-05180	2	9157405018	SCREW
17		11206-05350	2	9157405035	SCREW



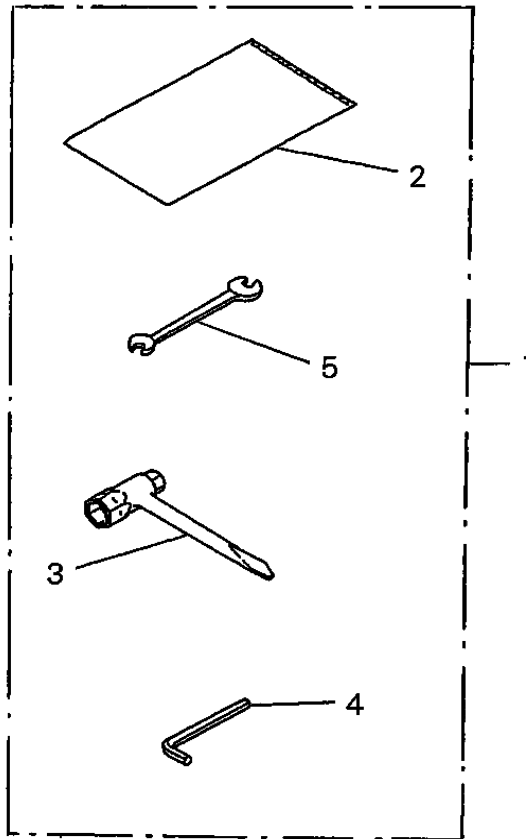
KEY	LV	OLD PART NO.	Q'TY	NEW PART NO.	DESCRIPTION
1		22554-12101	1	C050001550	OUTER PIPE COMP
2	+	22410-12120	5	C501000030	BUSH
3		22410-12210	1	C670000070	HANGER
4		01020-05120	1	90010505012	BOLT
5		01500-05041	1	90050000005	NUT
6		22070-12410	1	C504000500	MAIN SHAFT
7		22057-17110	1	V420002340	PROTECTOR
8		19422-00022	1	X505002980	LABEL CAUTION
9		63022-91010	1	X504001470	LABEL TRADE
10		72005-12140	1	X505002860	CAUTION PLATE



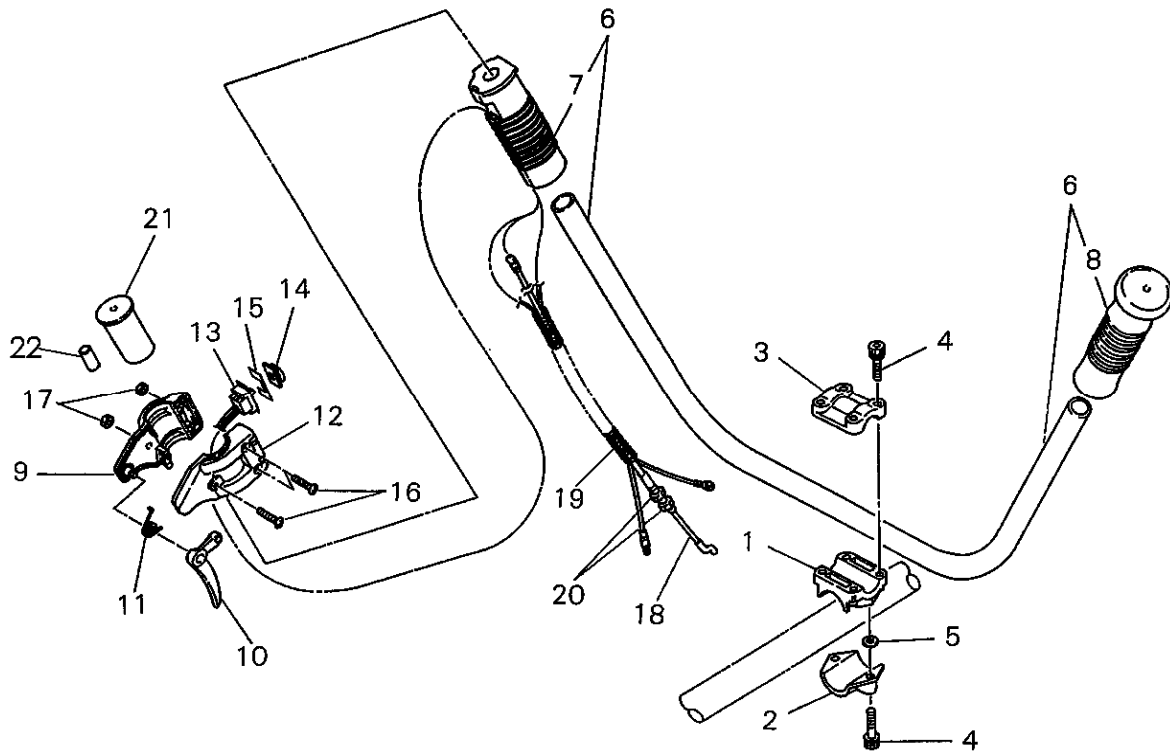
KEY	LV	OLD PART NO.	Q'TY	NEW PART NO.	DESCRIPTION
1		63901-63022	1	C051000680	GEAR CASE SUB ASSY
2	+	22035-13113	1	C531000710	GEAR CASE
3	+	02006-00626	1	90081200626	BEARING
4	+	02000-06000	1	90080006000	BEARING
5	+	22035-13140	1	V509000000	OIL SEAL
6	+	02432-26120	1	9242426000	SNAP RING
7	+	01014-06100	1	9103006010	BOLT
8	+	22000-13410	1	V304000180	GASKET
9	+	22410-13210	1	C534000680	GEAR SHAFT
10	+	22035-13220	1	V651000690	BEVEL GEAR
11	+	22035-13230	1	V356000480	COLLAR
12	+	22035-13391	1	V651000700	PINION SET
13	+	02000-00608	1	90080000608	BEARING
14	+	02002-00608	1	90080400608	BEARING
15	+	22035-13340	1	V582000140	SNAP RING
16	+	02432-22100	1	9242422000	SNAP RING
17	+	11022-05160	1	V203000590	BOLT
18	+	11022-05350	1	V203000600	BOLT
19	+	22000-13420	1	V340000300	SHIM
20	+	01613-05080	1	90060300005	WASHER
21	+	01500-05041	1	90050000005	NUT
22		72480-16130	1	C551000150	LOWER CLAMP
23		22035-13242	1	C535000510	HOLDER A
24		22410-13251	1	C535000520	HOLDER B
25		22035-13290	1	C535000530	BOLT GUARD
26		22035-13271	1	V216000040	BOLT



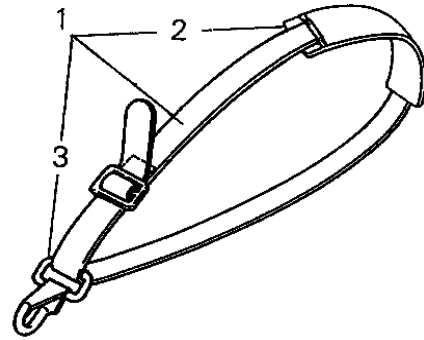
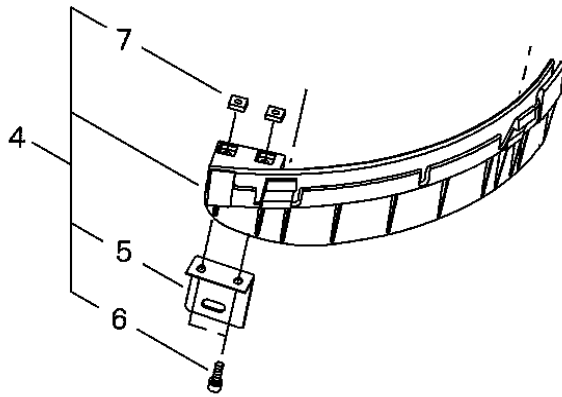
KEY	LV	OLD PART NO.	Q'TY	NEW PART NO.	DESCRIPTION
27		22410-13530	1	V490000530	SLIDE CLIP



KEY	LV	OLD PART NO.	Q'TY	NEW PART NO.	DESCRIPTION
1		22410-91000	1	-	TOOL SET
2	+	19639-01400	1	X705000100	BAG,PACKING
3	+	22000-91181	1	X602000150	PLUG WRENCH
4	+	09026-04001	1	X605000100	HEXA WRENCH
5	+	22000-91120	1	X600000020	SPANNER



KEY	LV	OLD PART NO.	Q'TY	NEW PART NO.	DESCRIPTION
1		34004-64110	1	C423000440	BRACKET
2		34004-64120	1	C423000450	LOWER CAP
3		34004-64130	1	C423000520	UPPER CAP
4		11022-05250	6	V203000630	BOLT
5		01610-05080	1	90060000005	WASHER
6		72481-14200	1	P021035430	HANDLE SUB ASSY
7	+	22421-14220	1	C403000340	GRIP
8	+	22421-14230	1	C403000210	GRIP
9		22410-14312	1	C401000080	BRACKET RIGHT
10		22410-14321	1	C450000460	LEVER
11		22410-14331	1	V452000440	SPRING
12		22410-14341	1	C401000090	BRACKET LEFT
13		22411-14351	1	A440001410	SWITCH COMP
14		22420-12930	1	A444000090	KNOB
15		22420-12940	1	X510000500	PLATE
16		11206-05300	3	9157405030	SCREW
17		01501-05031	3	90050200005	NUT
18		22411-14511	1	V430002660	THROTTLE CABLE
19		22421-14540	1	V475004540	TUBE
20		01501-06041	2	90050200006	NUT
21		22411-14611	1	V376001260	SPACER
22		22411-14550	1	V475004550	PIPE



KEY	LV	OLD PART NO.	Q'TY	NEW PART NO.	DESCRIPTION
1		22410-17202	1	C062000340	STRAP ASSY
2	+	22007-17220	1	C644000080	PROTECTOR
3	+	37013-67310	1	C649000170	HOOK
4		62903-66332	1	P021028450	SUB GUARD ASSY
5	+	72480-16121	1	C554000040	CUTTER
6	+	11020-05160	2	V203000720	BOLT
7	+	22420-16120	2	V263000130	NUT

Index

Patrs Number	Key No.	Patrs Number	Key No.	Patrs Number	Key No.
01014-06100	9 - 7	20011-12260	1 - 6	20140-75900	5 - 1
01020-05120	8 - 4	20011-72120	2 - 28	20140-81350	6 - 28
01020-05250	2 - 10	20011-72120	4 - 13	20140-81700	6 - 22
01020-05400	1 - 11	20016-12120	1 - 2	20140-81790	6 - 24
01500-05041	8 - 5	20016-31212	2 - 12	20140-82210	6 - 23
01500-05041	9 - 21	20016-41340	3 - 6	20140-85310	7 - 4
01501-05031	11 - 17	20016-81140	6 - 20	20142-12110	1 - 1
01501-06041	11 - 20	20016-81180	6 - 2	20142-31113	2 - 11
01511-08051	5 - 15	20016-81250	6 - 21	20142-31420	2 - 17
01610-05080	1 - 12	20016-81280	6 - 16	20142-32211	2 - 26
01610-05080	6 - 30	20016-81420	6 - 17	20142-41111	3 - 1
01610-05080	11 - 5	20016-81450	6 - 12	20142-41210	3 - 2
01613-05080	9 - 20	20016-81510	6 - 18	20142-41310	3 - 3
02000-00608	9 - 13	20016-85400	7 - 6	20142-51210	3 - 11
02000-06000	9 - 4	20018-81721	6 - 26	20142-85113	7 - 1
02002-00608	9 - 14	20020-85540	7 - 10	22000-13410	9 - 8
02006-00626	9 - 3	20035-21101	2 - 1	22000-13420	9 - 19
02403-03100	4 - 2	20035-51111	3 - 9	22000-91120	10 - 5
02432-22100	9 - 16	20035-51221	3 - 10	22000-91181	10 - 3
02432-26120	9 - 6	20035-71220	4 - 3	22007-17220	12 - 9
09026-04001	10 - 4	20035-85522	7 - 9	22035-13113	9 - 2
11020-05160	12 - 13	20036-21112	2 - 2	22035-13140	9 - 5
11020-05220	2 - 19	20036-21124	2 - 6	22035-13220	9 - 10
11022-05160	9 - 17	20036-81440	6 - 10	22035-13230	9 - 11
11022-05250	1 - 3	20036-81670	6 - 19	22035-13242	9 - 23
11022-05250	1 - 7	20087-31411	2 - 16	22035-13271	9 - 26
11022-05250	11 - 4	20087-51231	3 - 12	22035-13290	9 - 25
11022-05350	9 - 18	20087-86130	7 - 11	22035-13340	9 - 15
11024-04120	5 - 16	20087-86141	7 - 12	22035-13391	9 - 12
11024-04261	4 - 9	20112-85361	7 - 7	22057-17110	8 - 11
11024-04300	7 - 15	20140-12210	1 - 4	22070-12410	8 - 6
11203-05658	6 - 29	20140-12221	1 - 5	22100-71430	3 - 13
11206-05160	2 - 15	20140-15120	1 - 10	22100-81230	6 - 14
11206-05180	7 - 16	20140-21201	2 - 5	22100-81250	6 - 13
11206-05300	2 - 14	20140-31250	2 - 23	22100-81260	6 - 15
11206-05300	11 - 16	20140-31260	2 - 24	22150-21250	2 - 4
11206-05350	7 - 17	20140-32112	2 - 21	22160-32210	2 - 27
11260-04081	2 - 18	20140-34112	2 - 25	22410-12120	8 - 2
12492-40080	2 - 9	20140-71200	4 - 1	22410-12210	8 - 3
12900-60010	2 - 3	20140-71600	4 - 4	22410-13210	9 - 9
12900-60010	2 - 7	20140-75110	5 - 2	22410-13251	9 - 24
13000-13406	4 - 14	20140-75120	5 - 3	22410-13530	9 - 27
19404-00008	6 - 27	20140-75130	5 - 4	22410-14312	11 - 9
19422-00022	8 - 8	20140-75140	5 - 5	22410-14321	11 - 10
19639-01400	10 - 2	20140-75150	5 - 6	22410-14331	11 - 11
20000-21211	2 - 8	20140-75160	5 - 7	22410-14341	11 - 12
20000-31140	2 - 13	20140-75170	5 - 8	22410-17202	12 - 8
20000-72230	4 - 6	20140-75180	5 - 9	22410-91000	10 - 1
20000-85221	7 - 3	20140-75310	5 - 14	22411-14302	11 - 24

Index

Patrs Number	Key No.	Patrs Number	Key No.	Patrs Number	Key No.
22411-14351	11 - 13	72005-12140	8 - 10		
22411-14500	11 - 25	72480-16121	12 - 12		
22411-14511	11 - 18	72480-16130	9 - 22		
22411-14550	11 - 22	72481-14200	11 - 6		
22411-14611	11 - 21	72933-81270	6 - 11		
22420-12930	11 - 14	72933-81410	6 - 8		
22420-12940	11 - 15	72933-85620	7 - 8		
22420-16120	12 - 14				
22421-14220	11 - 7				
22421-14230	11 - 8				
22421-14540	11 - 19				
22554-12101	8 - 1				
34004-64020	11 - 23				
34004-64110	11 - 1				
34004-64120	11 - 2				
34004-64130	11 - 3				
37013-85310	7 - 18				
37019-82340	6 - 25				
62038-91020	2 - 22				
62038-91030	5 - 13				
62074-81320	6 - 31				
62902-85320	7 - 13				
62903-66111	12 - 10				
62903-66332	12 - 11				
63022-91010	8 - 9				
63901-63022	9 - 1				
67000-15010	1 - 13				
67000-15110	1 - 8				
67000-15340	1 - 9				
67000-41230	3 - 5				
67000-42010	3 - 7				
67000-51011	3 - 8				
67000-71240	4 - 12				
67000-81010	6 - 1				
67000-81330	6 - 5				
67000-86310	7 - 14				
70030-41320	3 - 4				
70030-71620	4 - 8				
70030-81380	6 - 9				
70043-85201	7 - 2				
70064-72111	4 - 7				
70064-75190	5 - 10				
70064-75211	5 - 11				
70064-75220	5 - 12				
70064-81290	6 - 3				
70097-81220	6 - 4				
70097-81310	6 - 6				
70097-81320	6 - 7				
70223-72200	4 - 5				

YAMABIKO CORPORATION

7-2 SUEHIROCHO 1-CHOME, OHME, TOKYO 198-8760, JAPAN
PHONE: 81-428-32-6118. FAX: 81-428-32-6145.

shindaiwa[®]